

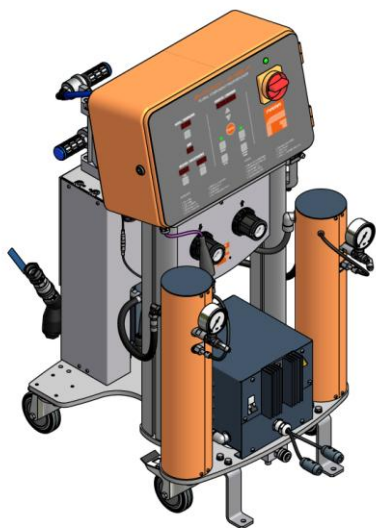


Parts Manual

Proportioning Unit

evolution G-125 A / G-200 A

Issue 4.1 24/10/12
Ref. NR-00007-ENG



Before installing the unit and starting it up, carefully read all the technical and safety documentation included in the Manual Service. Pay special attention to the information to know and understand the handling and the conditions of use of the unit. All of the information is aimed at enhancing User Safety and avoiding possible breakdowns derived from the incorrect use of the unit.



WARRANTY

GARRAF MAQUINARIA, S. A. (hereinafter "GAMA") provides this **LIMITED WARRANTY** (hereinafter "Warranty") to the original purchaser (hereinafter "Customer") covering this equipment and the original GAMA manufactured accessories delivered with the equipment (hereinafter "Product") against defects in material or workmanship of the Product (hereinafter "Defect" or "Defective") for a period of two (2) years from the date of first purchase as shown on the original GAMA invoice (hereinafter "Warranty Period").

If during the Warranty Period under normal use, the Product is suspected by Customer to be Defective in material or workmanship, it is Customer's responsibility to contact GAMA and return the Product to GAMA as directed by GAMA, freight prepaid. If GAMA determines that the Product is Defective and that such Defect is covered by this Warranty, GAMA will credit Customer for the reasonable freight charges incurred by Customer in returning the Defective Product to GAMA, and GAMA (or its authorized agent) will, at GAMA's option, repair or replace the Product, subject to the following:

Original Invoice: The original invoice must be kept as proof of the date of first sale and the Product serial number. The Warranty does not cover any Product if the Original Invoice appears to have been modified or altered, or when the serial number on the Product appears to have been altered or defaced.

Product Maintenance: It is the Customer's responsibility to maintain the Product properly. See your maintenance schedule and owner's manual for details. The Warranty does not cover an improperly maintained Product.

Non-GAMA Components and Accessories: Non-GAMA manufactured components and accessories that are used in the operation of the Product are not covered by this Warranty. Such components and accessories shall be subject to the warranty offered to the Customer, if any, by the original manufacturer of such component or accessory.

Other Warranty Exclusions: The Warranty does not cover any Product that GAMA determines has been damaged or fails to operate properly due to misuse, negligence, abuse, carelessness, neglect, or accident. By way of example only, this includes:

- Normal wear and tear.
- Improper or unauthorized installation, repair, alteration, adjustment or modification of the Product.
- Use of heating devices, pumping equipment, dispensers, or other parts or accessories with the Product that have not been approved or manufactured by GAMA.
- Failure to follow the operating instructions and recommendations provided by GAMA.
- Cosmetic damage.
- Fire, flood, "acts of God," or other contingencies beyond the control of GAMA.

THE WARRANTY DESCRIBED HEREIN IS THE EXCLUSIVE REMEDY FOR THE CUSTOMER AND IS IN LIEU OF ALL OTHER WARRANTIES, EXPRESS, IMPLIED, STATUTORY OR OTHERWISE, AND THE IMPLIED WARRANTIES OF MERCHANTABILITY AND FITNESS FOR A PARTICULAR PURPOSE AND ALL OTHER WARRANTIES ARE HEREBY DISCLAIMED. TO THE FULLEST EXTENT PERMITTED BY LAW, GAMA SHALL NOT BE RESPONSIBLE, WHETHER BASED IN CONTRACT, TORT (INCLUDING, WITHOUT LIMITATION, NEGLIGENCE), WARRANTY OR ANY OTHER LEGAL OR EQUITABLE GROUNDS, FOR ANY CONSEQUENTIAL, INDIRECT, INCIDENTAL, LOST PROFITS, SPECIAL, PUNITIVE OR EXEMPLARY DAMAGES, WHETHER TO PERSON OR PROPERTY, ARISING FROM OR RELATING TO THE PRODUCT, EVEN IF GAMA HAS BEEN ADVISED OF THE POSSIBILITY OF SUCH LOSSES OR DAMAGES.

Non-Warranty Service by GAMA: If GAMA determines that the suspected Defect of the Product is not covered by this Warranty, disposition of the Product will be made pursuant to the terms and conditions of GAMA's written estimate on a time and materials basis.

Continuing Warranty for Products Repaired or Replaced under Warranty: Following the repair or replacement of a Product covered by this Warranty, such Product will continue to be subject to the original Warranty for the remainder of original Warranty Period or for three (3) months from the repair or replacement date, whichever is longer.

No Rights Implied: Nothing in the sale, lease or rental of any Product by GAMA shall be construed to grant any right, interest or license in or under any patent, trademark, copyright, trade secret or other proprietary right or material owned by anyone; nor does GAMA encourage the infringement of same.

Exclusive Warranty: This writing is the final, complete, and exclusive expression of the Warranty covering the Product. Any statements made by GAMA, its employees or agents that differ from the terms of this Warranty shall have no effect. It is expressly understood that Customer's acceptance of this Warranty, by performance or otherwise, is upon and subject solely to the terms and conditions hereof, and any additional or different terms and conditions proposed or expressed by Customer or anyone, whether in writing or otherwise, are null and void unless specifically agreed to in writing by an Officer of GAMA.

PROPORTIONING UNIT evolution G-125 A / G-200 A

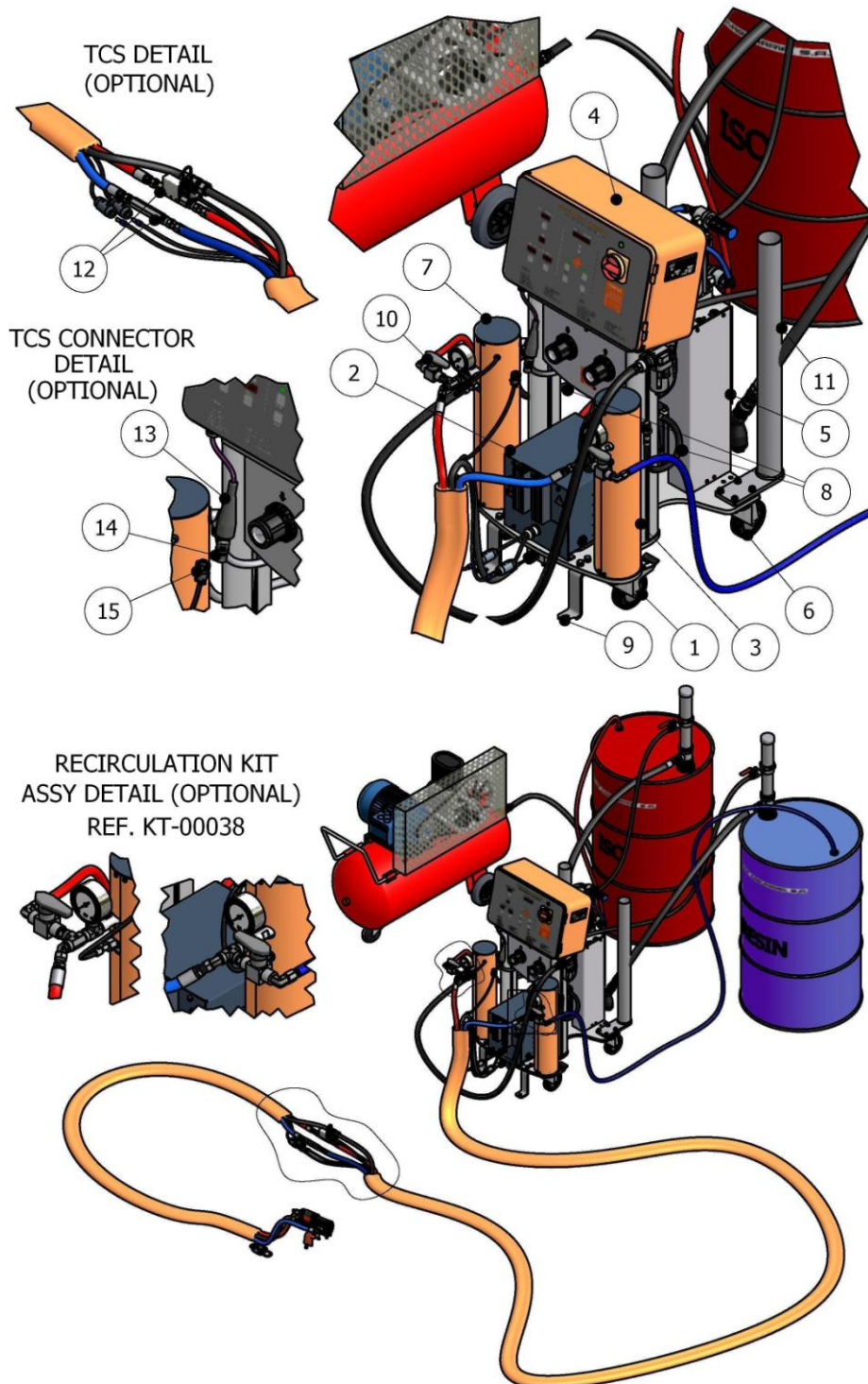


Figure 1. Proportioning Unit evolution G-125 A / G-200 A model



Table 1. Proportioning Unit evolution G-125 A / G-200 A model, Parts List

Ref.	Description	Part Number	Qty.
1	Front Wheel With Brake	MQ-02012	2
2	Hose Transformer	EL-00127-06	1
3	"R" Primary Heater	See Table 2	1
4	Electrical Console Assembly	See Table 5	1
5	Motor/Pump Assembly	See Table 4	1
6	Back Wheel	MQ-02013	2
7	"A" Primary Heater	See Table 3	1
8	Pump/Heater Hose Assy.	MA-00036	2
9	"Z" Bracket	MQ-01017	2
10	Recirculation Kit (OPTIONAL)	See Page 32, 33 & 35	1
11	Transfer Pump Bracket	MQ-02015-00	2
12	Hose Temperature Control Sensor	EL-00051-00	1
13	Connector Sensor Cover	EL-00096-21	1
14	Connector Sensor Male	EL-00096-19	1
15	Connector Sensor Female	EL-00096-20	1



Table 2. R-Primary Heater Reference List

Reference	Description
CL-02002-00A	R Primary Heater 5000 watts For # 7.6 Pump Size (G-125 A Standard)
CL-02002-00B	R Primary Heater 6000 watts For #4.5 Pump Size (G-200 A Standard)
CL-02002-00C	R Primary Heater 5000 watts For Special Pump Size (G-125 A OPTIONAL)

Table 3. A-Primary Heater Reference List

Reference	Description
CL-02001-00A	A Primary Heater 5000 watts For # 7.6 Pump Size (G-125 A Standard)
CL-02001-00B	A Primary Heater 6000 watts For #4.5 Pump Size (G-200 A Standard)
CL-02001-00C	A Primary Heater 5000 watts For Special Pump Size (G-125 A OPTIONAL)

Table 4. Motor/Pump Assembly Reference List

Reference	Description
PU-02000-00A	Motor/Pump Assembly 7.6 Size (G-125 A)
PU-02001-00A	Motor/Pump Assembly 4.5 Size (G-200 A)
PU-02005-00A	Motor/Pump Assembly 5.1 Size (G-125 A OPTIONAL)
PU-02002-00A	Motor/Pump Assembly 5.7 Size (G-125 A OPTIONAL)
PU-02003-00A	Motor/Pump Assembly 6.3 Size (G-125 A OPTIONAL)

Note: (*) The standard proportioning pump size for G-125 A is #7.6, for G-200 A is #4.5. Different sizes are available under order. For delivery time, please consult with Marketing department.



Table 5. Electrical Console Reference List

Reference	Description
EL-00027-00	Electrical Console Assy. G-125 A Model
EL-00027-TSU	Electrical Console Assy. with TCS G-125 A Model(OPTIONAL)
EL-00139-00	Electrical Console Assy. G-200 A Model with TCS

ELECTRICAL CONSOLE evolution G-125 A MODEL

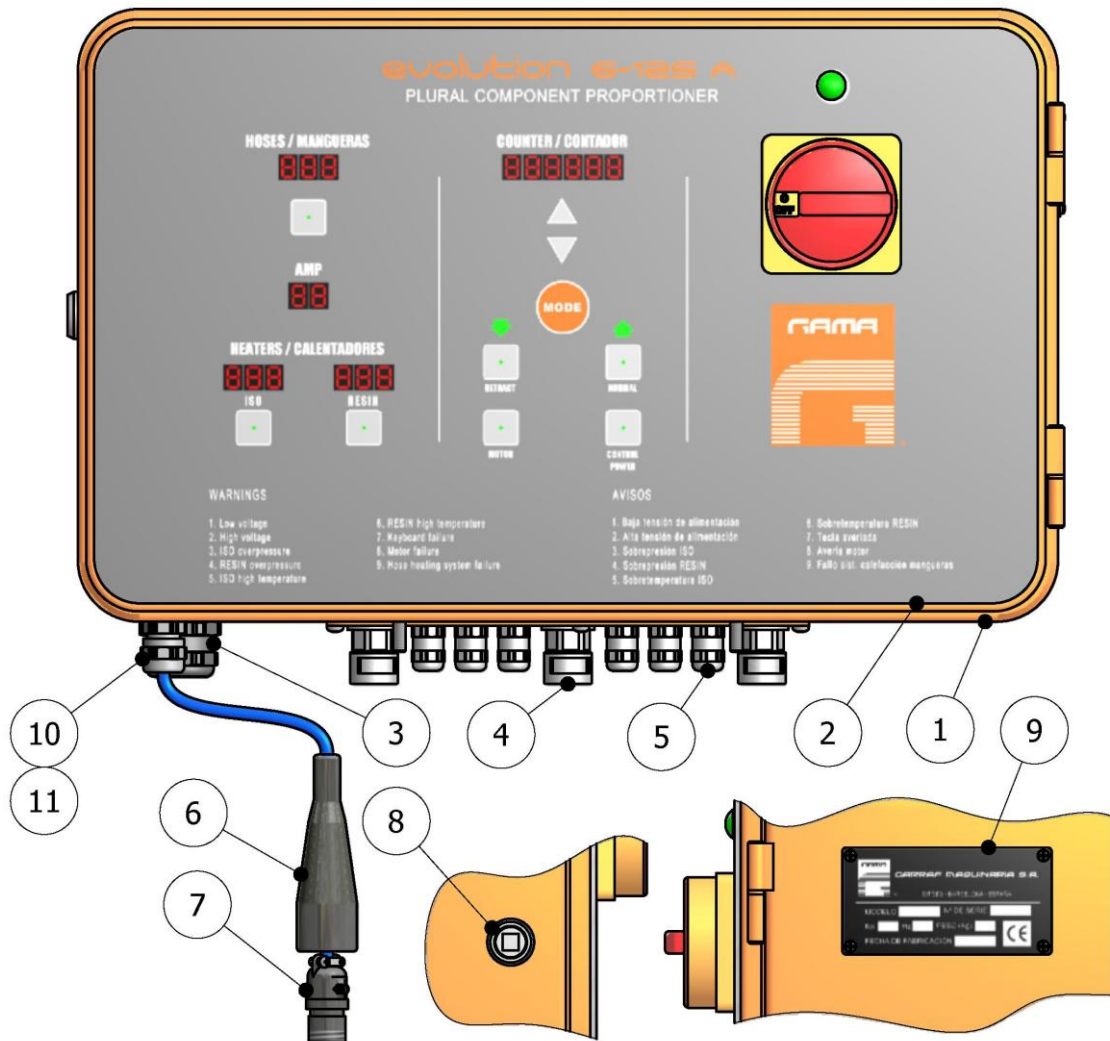


Figure 2. Electrical Console evolution G-125 A Model



Table 6. Electrical Console evolution G-125 A Model, Parts List

Ref.	Description	Part Number	Qty.
1	Electrical Console	EL-00027-01	1
2	Bezel & Electric Circuit Assembly	EL-00015-00	1
3	Cable Connector	EL-00088-01	1
3.1	Nut (not shown)	EL-00090-03	1
4	Strain Relief	EL-00087-00	3
4.1	Nut (not shown)	EL-00090-01	3
5	Strain Relief	EL-00088-00	6
5.1	Nut (not shown)	EL-00090-00	6
6	Connector Sensor Cover	EL-00096-21	1 (*)
7	Connector Sensor Male	EL-00096-19	1 (*)
8	Lock Electrical Console	EL-00034	1
9	Standard Features Bezel	MQ-01010	1
10	Strain Relief	EL-00088-05	1 (*)
11	Plug	EL-00088-08	1
11.1	Nut (not shown)	EL-00090-06	1

N.B.:

The indicated parts () only are mounted on version with TCS.*

ELECTRICAL CONSOLE evolution G-200 A MODEL

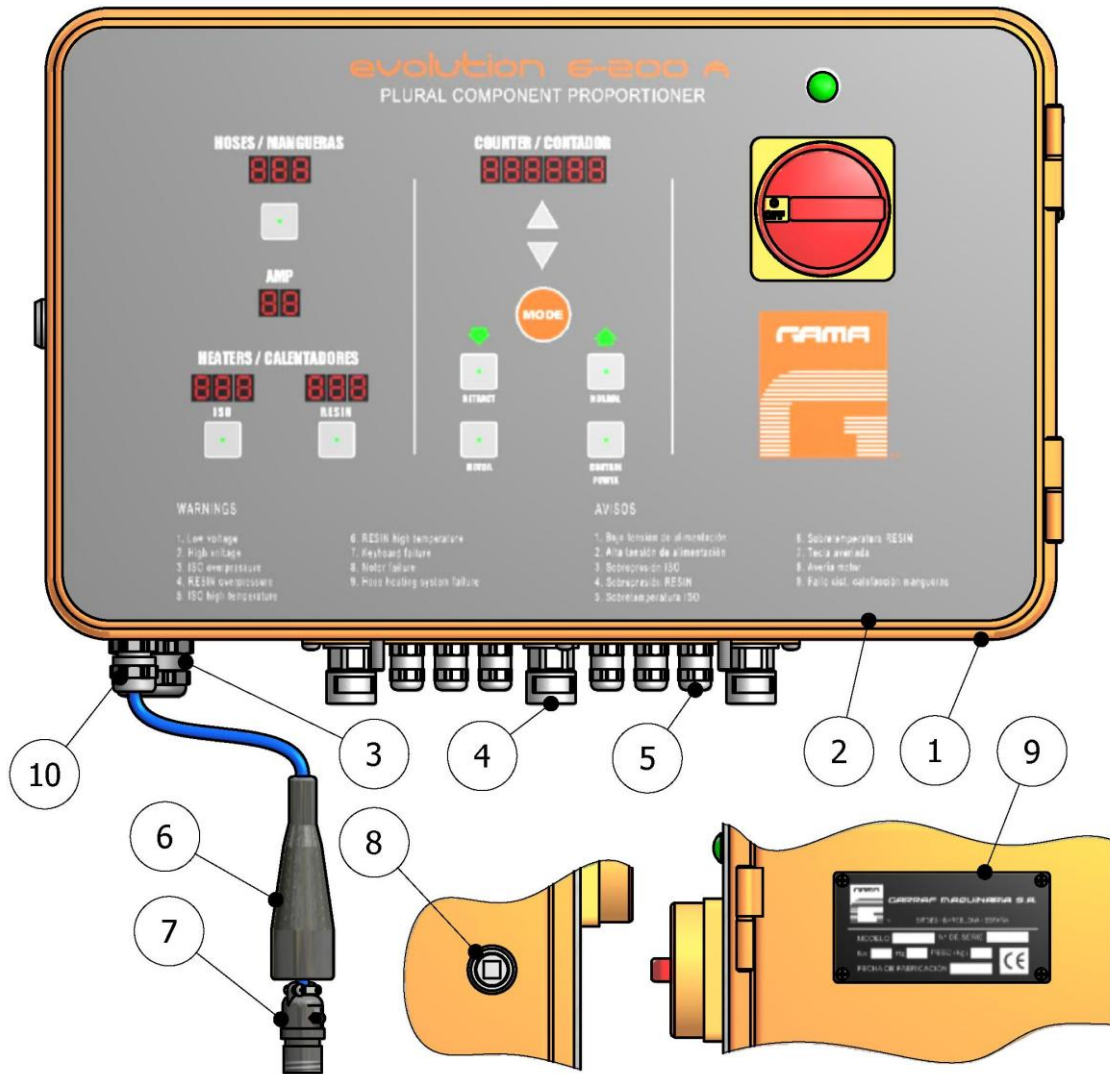


Figure 3. Electrical Console evolution G-200 A Model



Table 7. Electrical Console evolution G-200 A Model, Parts List

Ref.	Description	Part Number	Qty.
1	Electrical Console	EL-00027-01	1
2	Bezel & Electric Circuit Assembly	EL-00073-00	1
3	Cable Connector	EL-00088-01	1
3.1	Nut (not shown)	EL-00090-03	1
4	Strain Relief	EL-00087-00	3
4.1	Nut (not shown)	EL-00090-01	3
5	Strain Relief	EL-00088-00	6
5.1	Nut (not shown)	EL-00090-00	6
6	Connector Sensor Cover	EL-00096-21	1
7	Connector Sensor Male	EL-00096-19	1
8	Lock Electrical Console	EL-00034	1
9	Standard Features Bezel	MQ-01010	1
10	Strain Relief	EL-00088-05	1
10.1	Nut (not shown)	EL-00090-06	1

GUIDE WHEELS SYSTEM

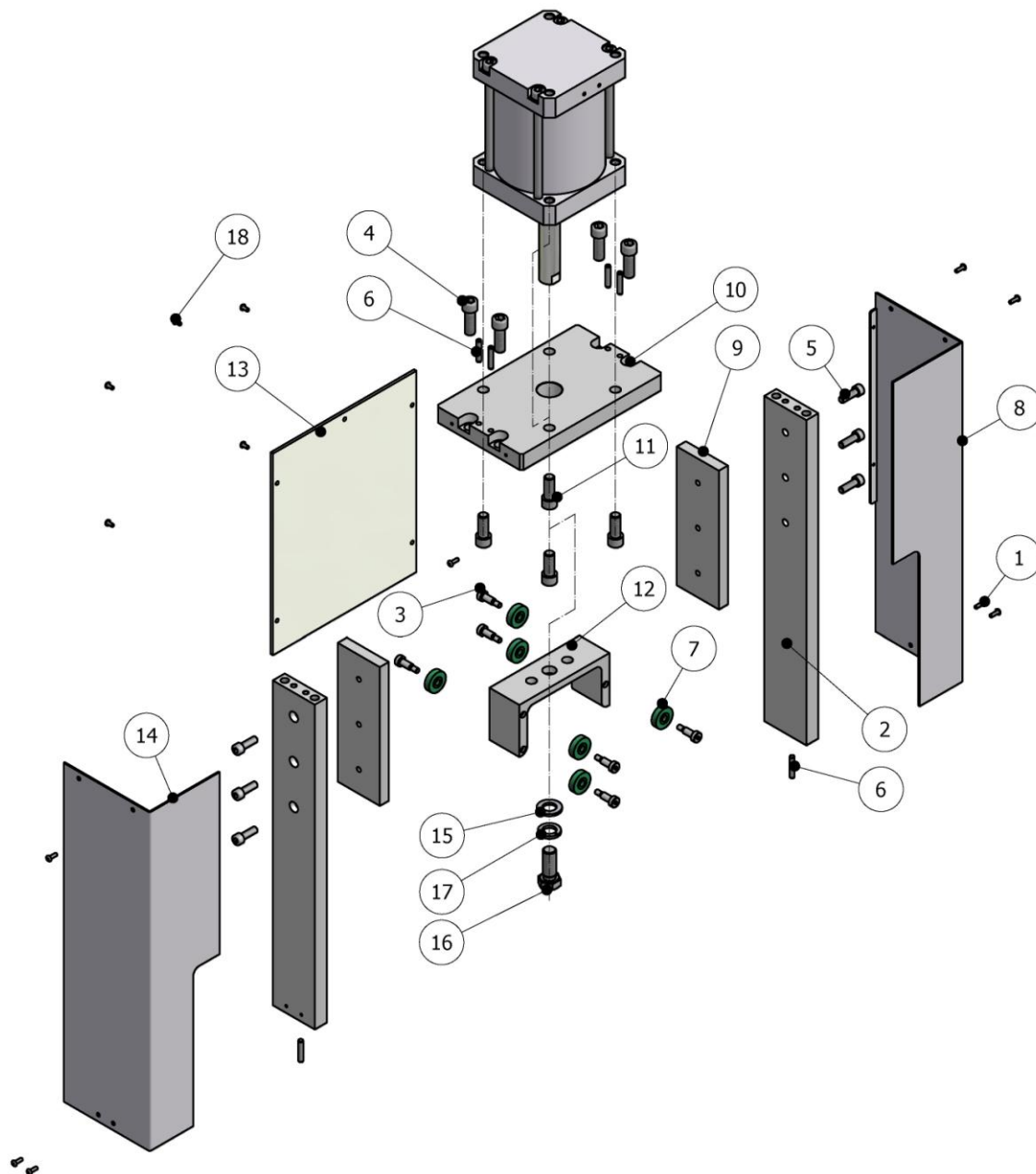


Figure 4. Guide Wheel System, Exploded View.



Table 8. Guide Wheels System, Parts List

Ref.	Description	Part Number	Qty.
1	Hex Head Cap Screw	TN-00324	8
2	Support Guide	PU-02000-15	2
3	Screw	TN-00057	6
4	Socket Head Cap Screw	TN-00053	4
5	Socket Head Cap Screw	TN-00058	6
6	Dowel Pin	TN-00055	6
7	Wheel	PU-02000-24	6
8	Cover	PU-02000-18	1
9	Wheel Support	PU-02000-25	2
10	Air Cylinder Support Plate	PU-02000-19A	1
11	Socket Head Cap Screw	TN-00043	4
12	Puma Yoke	PU-02000-05A	1
13	Front Cover	PU-02000-16	1
14	Cover	PU-02000-17	1
15	Washer	TN-00045	1
16	Hex Head Cap Screw	TN-00095	1
17	Washer	TN-00044	1
18	Hex Head Cap Screw	TN-00317	5

PROPORTIONING PUMP

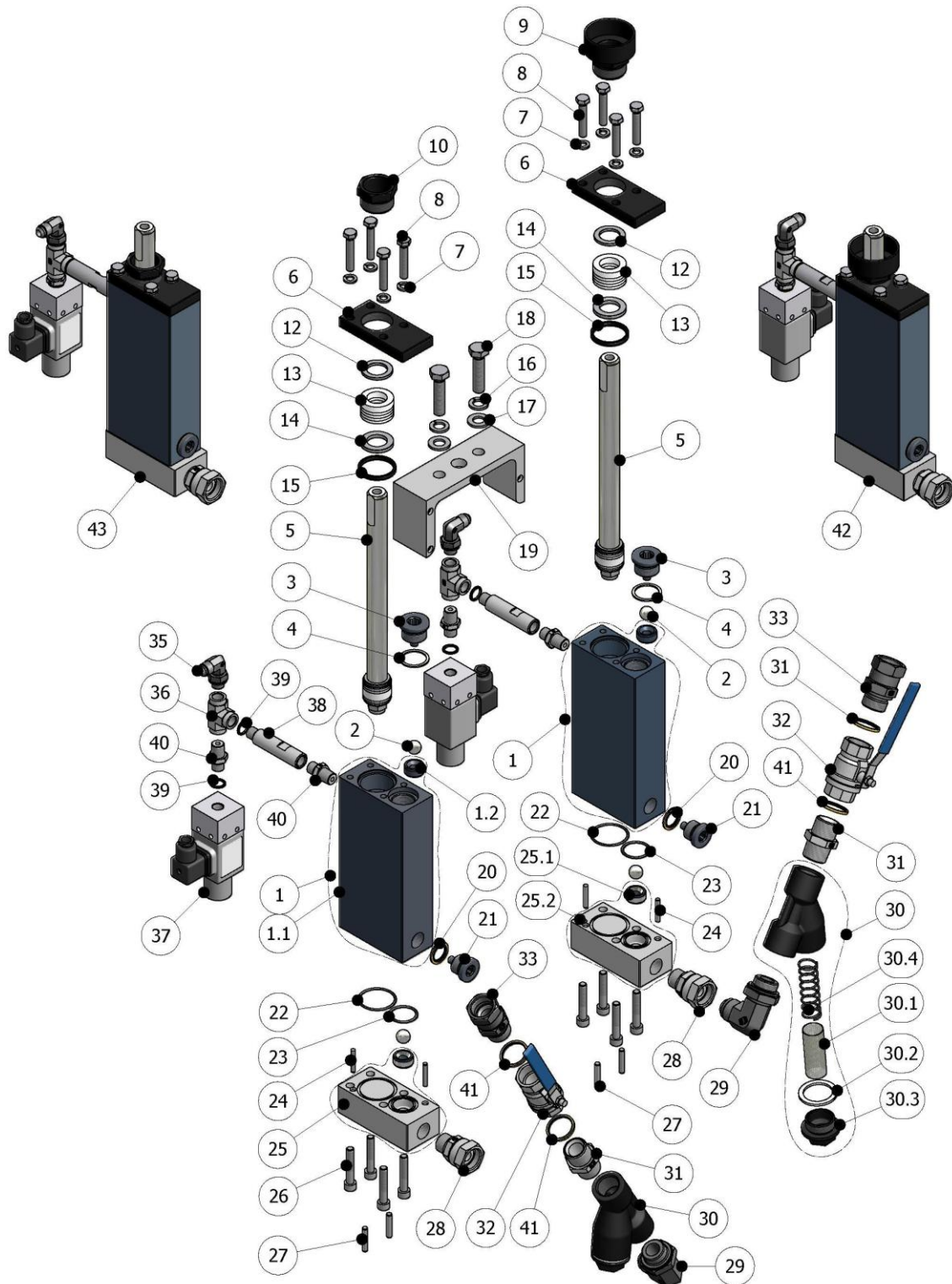


Figure 5. Proportioning Pump, Exploded View



Table 9. Proportioning Pump, Parts List

Ref.	Description	Part Number	Qty.
1	Pump Body With Check Valve Assembly	See Table 10	2
1.1	Pump Body	See Table 10	2
1.2	Check Valve Assembly	PU-02000-09	2
2	Valve Ball	TN-00012	4
3	Plug	PU-02000-21	2
4	Seal	PU-02000-27	2
5	Piston Rod Assembly	See Sheet 18	2
6	Packing Retainer	PU-02000-03	2
7	Lock Washer	TN-00028	8
8	Socket Head Cap Screw	TN-00051	8
9	"A" Parking Nut W/Lube Cup	See Table 10	1
10	"R" Parking Nut	See Table 10	1
12	Washer	See Table 10	2
13	Packing Set (#)	See Table 10	2
14	Washer	See Table 10	2
15	Backup Ring	See Table 10	2
16	Washer	TN-00039	2
17	Washer	TN-00040	2
18	Socket Head Cap Screw	TN-00056	2
19	Puma Yoke	PU-02000-05A	1
20	O-Ring	OR-00023	2
21	Plug	PU-02000-10	2
22	O-Ring	OR-00013	2
23	O-Ring	OR-00014	2
24	Dowel Pin	TN-00042	4
25	Pump Base With Check Valve Assembly	PU-02000-01A	2
25.1	Check Valve Assembly	PU-02000-09	2
25.2	Base Plate	PU-02000-01	2
26	Socket Head Cap Screw	TN-00046	8
27	Dowel Pin	TN-00055	4



Parts Manual

Ref.	Description	Part Number	Qty.
28	Swivel Union	RA-00141	2
29	Elbow	RA-00072	2
30	Y-Strainer	RA-00074-00	2
30.1	Filter	RA-00074-03-30	2
30.2	Filter Gasket	OR-00082	2
30.3	Filter Plug	RA-00074-01	2
30.4	Spring	SP-00017	2
31	Hex Nipple	RA-00143	2
32	Ball Valve	RA-00078	2
33	Swivel Union	RA-00073	2(1)*
34	Swivel Union	RA-00161	(1)*
35	Hose Elbow	RA-00050	2
36	Pipe Tee	RA-00053	2
37	Pressure Switch	See Table 11	-
38	Adapter	RA-00101	2
39	Seal	See Table 11	-
40	Hex Nipple	See Table 11	-
41	Seal	OR-00082	4
42	ISO Pump Assy	See Table 10	1
43	POL Pump Assy	See Table 10	1
44	Repair Seal Kit	See Table 10	1
45	Pressure Switch (See Figure 6)	See Table 11	-

() * Qty for USA version

(#) Parts Included in Repair Seal Kit Ref. 44

The Repair Seal Kit include the parts for 1 pump.



Table 10. Proportioning Pump evolution G-125 A, Variant SIZE, Parts List

Ref.	(*) 7.6 SIZE	6.3 SIZE	5.7 SIZE	5.1 SIZE	(*) 4.5 SIZE
1	PU-02000-02A	PU-02003-02A	PU-02002-02A	PU-02005-02A	PU-02001-02A
1.1	PU-02000-02	PU-02003-02	PU-02002-02	PU-02005-02	PU-02001-02
9		PU-02000-13			PU-02001-13
10		PU-02000-14			PU-02001-14
12	PU-02000-12	PU-02003-12	PU-02002-12	PU-02005-12	PU-02001-23
13	PU-02000-11	PU-02003-11	PU-02002-11	PU-02005-11	PU-02001-11
14	PU-02000-23	PU-02003-23	PU-02002-23	PU-02005-23	PU-02001-23
15		PU-02000-22			PU-02001-22
42	PU-02000-11	PU-02003-11	PU-02002-11	PU-02005-11	PU-02001-11
43	PU-02000-A125	PU-02003-A125	PU-02002-A125	PU-02005-A125	PU-02001-A200
44	PU-02000-R125	PU-02003-R125	PU-02002-A125	PU-02005-R125	PU-02001-R200
45	KT-00074	KT-00075	KT-00058	KT-00076	KT-00032

Note: (*) The standard proportioning pump size for G-125 A is #7.6, for G-200 A is #4.5. Different sizes are available under order. For delivery time, please consult with Marketing department.

The Repair Seal Kit includes the parts for 1 pump.

Table 11. Optional Assemblies of the Pressure Switch, Parts List

Ref.	Description	Part Number	Qty. Option 1	Qty. Option 2
37	Pressure Switch	HI-00021	2	-
39	Seal Ring	OR-00054	4	4
40	Hex. Nipple	RA-00138	4	2
45	Pressure Switch	HI-00016	-	2

Option 1, is for all versions.

Option 2, is only for the version G-125 A #7.6 size pumps.

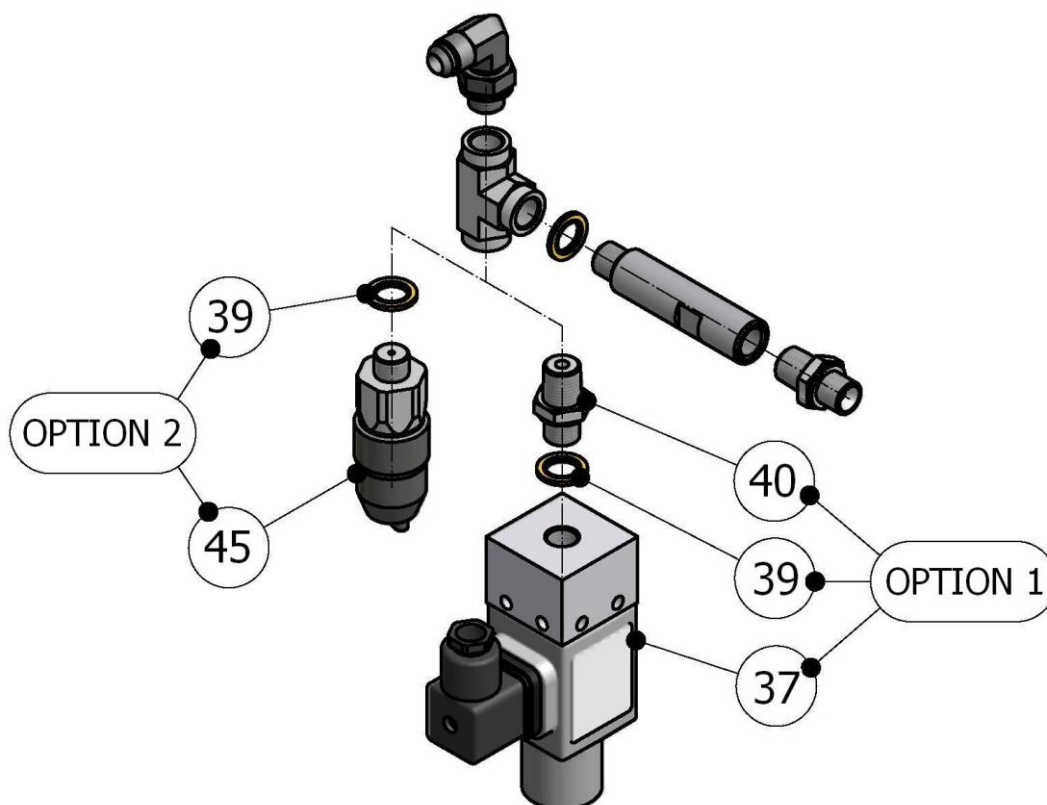


Figure 6. Options of Assembly of the Pressure Switches

PISTON ROD ASSEMBLY

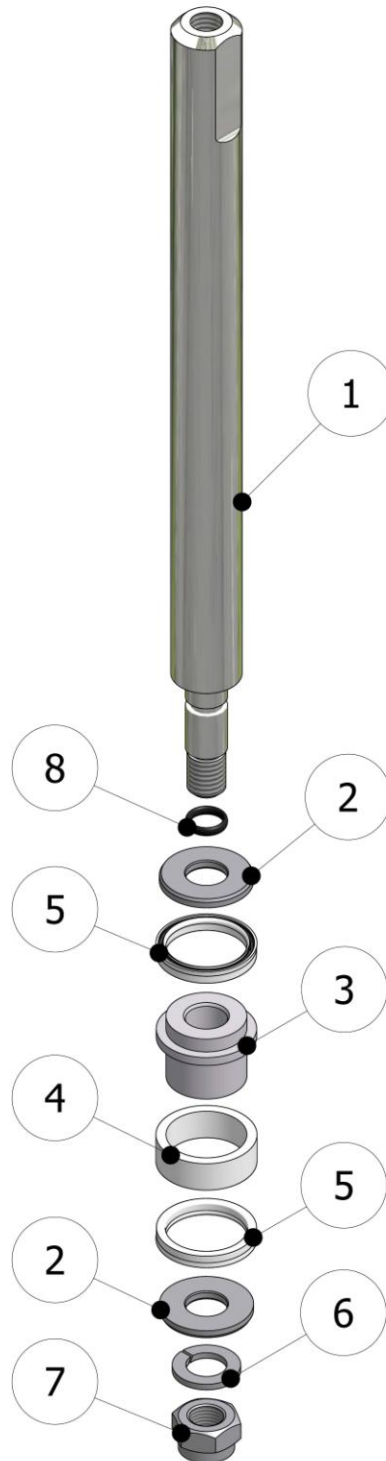


Figure 7. Piston Rod Assembly, Exploded View



Table 12. Piston Rod Assembly, Parts List

Ref.	Description	Part Number	Qty.
1	Pump Piston Rod	PU-02SIZE-06	1
2	Washer	PU-02SIZE-08	2
3	Piston Seal Support	PU-02SIZE-07	1
4	Piston Seal (#)	See Table 14	1
5	O-Ring (#)	See Table 14	2
6	Washer	See Table 14	1
7	Nut	See Table 14	1
8	O-Ring (#)	See Table 14	1
9	Repair Seal Kit	See Table 13	1

(#) Parts included in Ref. 9.

Table 13. Repair Seal Kit Size, Parts List

	7.6 (G-125 A) Standard	4.5 (G-200 A) Standard	5.1 (G-125 A) Optional	5.7 (G-125 A) Optional	6.3 (G-125 A) Optional
Ref. 9	KT-00074	KT-00075	KT-00058	KT-00076	KT-00032

The Repair Seal Kit includes the Parts for 1 pump,



Table 14. Piston Rod Size, Parts List

Pump	1	2	3	4
(*) 7.6 (G-125 A)	PU-02000-06	PU-02000-08	PU-02000-07	OR-00016
(*) 4.5 (G-200 A)	PU-02001-06	PU-02001-08	PU-02001-07	OR-00050
5.1 Variant (G-125 A)	PU-02005-06	PU-02005-08	PU-02005-07	OR-00080
5.7 Variant (G-125 A)	PU-02002-06	PU-02002-08	PU-02002-07	OR-00059
6.3 Variant (G-125 A)	PU-02003-06	PU-02003-08	PU-02003-07	OR-00078

Pump	5	6	7	8
(*) 7.6 (G-125 A)	OR-00017	TN-00039	TN-00030	OR-00015
(*) 4.5 (G-200 A)	OR-00051	TN-00087	TN-00165	OR-00049
5.1 Variant (G-125 A)	OR-00081	TN-00087	TN-00165	OR-00049
5.7 Variant (G-125 A)	OR-00060	TN-00087	TN-00165	OR-00049
6.3 Variant (G-125 A)	OR-00077	TN-00087	TN-00165	OR-00049

Note: (*) The standard proportioning pump size for G-125 A is #7.6, for G-200 A is #4.5. Different sizes are available under order. For delivery time, please consult with Marketing department.

AIR CONTROL ASSEMBLY

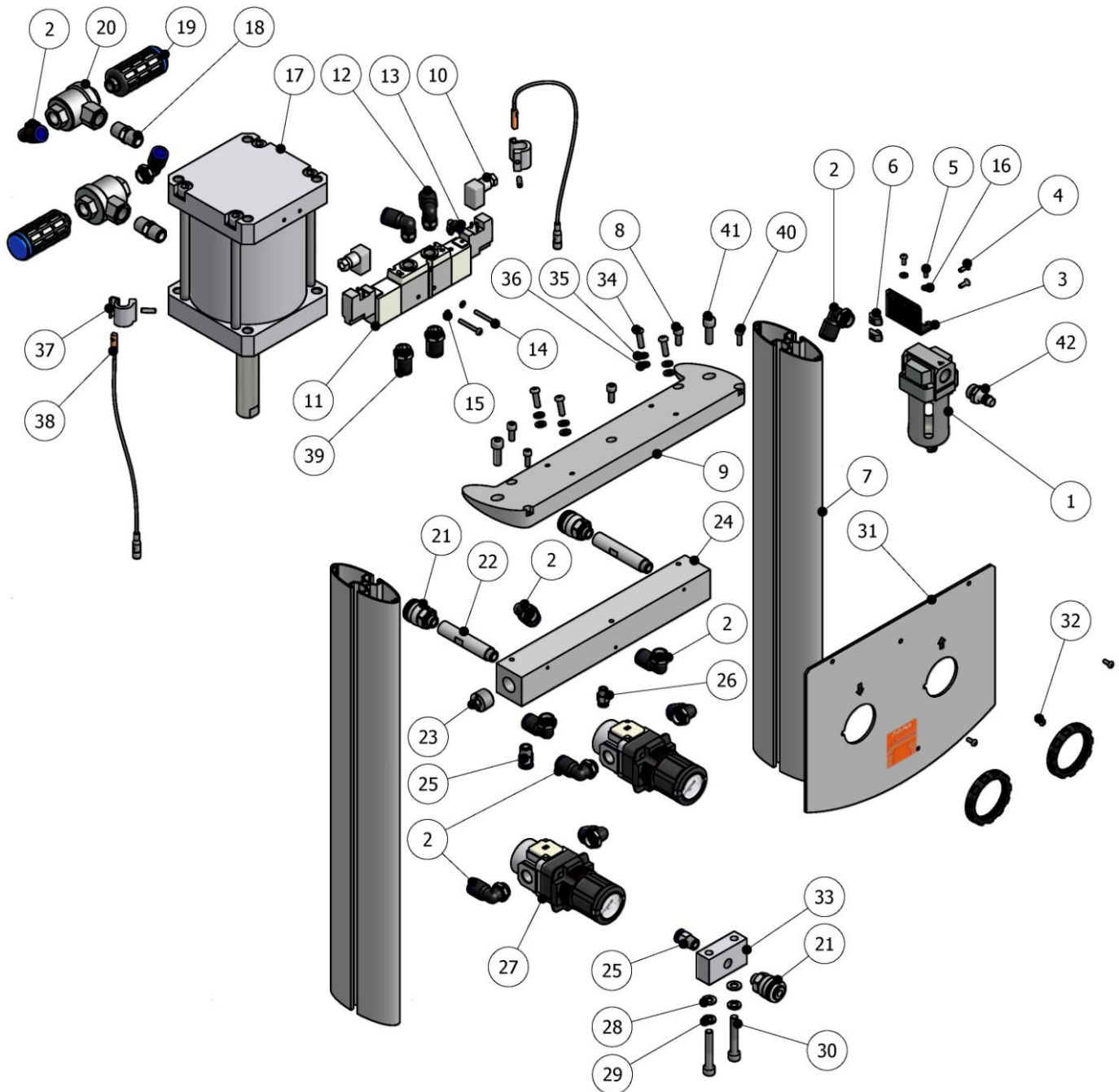


Figure 8. Air Control Assembly, Exploded View



Table 15. Air Control Assembly, Parts List

Ref.	Description	Part Number	Qty.
1	Air Filter	NE-00064	1
2	Tube Fitting	RA-00085	10
3	Mounting Bracket	NE-00064-01	1
4	Screw	TN-00293	2
5	Screw	TN-00239	2
6	Nut	TN-00094	2
7	Electric Console Support	MQ-02003	2
8	Socket Head Cap Screw	TN-00061	3
9	Electric Console Support Plate	MQ-02002B	1
10	Connector	NE-00013	2 (*)
11	Directional Valve	NE-00065	1
12	Tube Fitting	RA-00046	2
13	Tube Fitting	RA-00088	1
14	Screw	TN-00294	2
15	Washer	TN-00104	2
16	Washer	TN-00104	2
17	Air Motor	NE-00059	1
18	Male Union	RA-00054	2
19	Muffler	NE-00056	2
20	Exhaust Valve	NE-000060	2
21	Fast Socket	RA-00095	3
22	Swivel Union	MQ-02007	2
23	Plug	RA-00103	1
24	Air Manifold	MQ-02004	1
25	Tube Fitting	RA-00150	2
26	Tube Fitting	RA-00206	1
27	Pressure Regulator	NE-00063	2
28	Washer	TN-00119	2
29	Washer	TN-00028	2
30	Screw	TN-00090	2



Parts Manual

Ref.	Description	Part Number	Qty.
31	Control Panel	MQ-02021	1
32	Screw	TN-00239	2
33	Air Connection Support	MQ-02005	1
34	Screw	TN-00026	4
35	Washer	TN-00025	4
36	Washer	TN-00024	4
37	Magnetic switch support	NE-00061	2
38	Magnetic Switch	EL-00136-08	2
39	Tube Fitting	RA-00086	2
40	Screw	TN-00016	2
41	Screw	TN-00027	2
42	Coupler Plug	RA-00096	1

N.B.:

The Parts indicated (*) are included in Ref. 11

AIR MOTOR ASSEMBLY

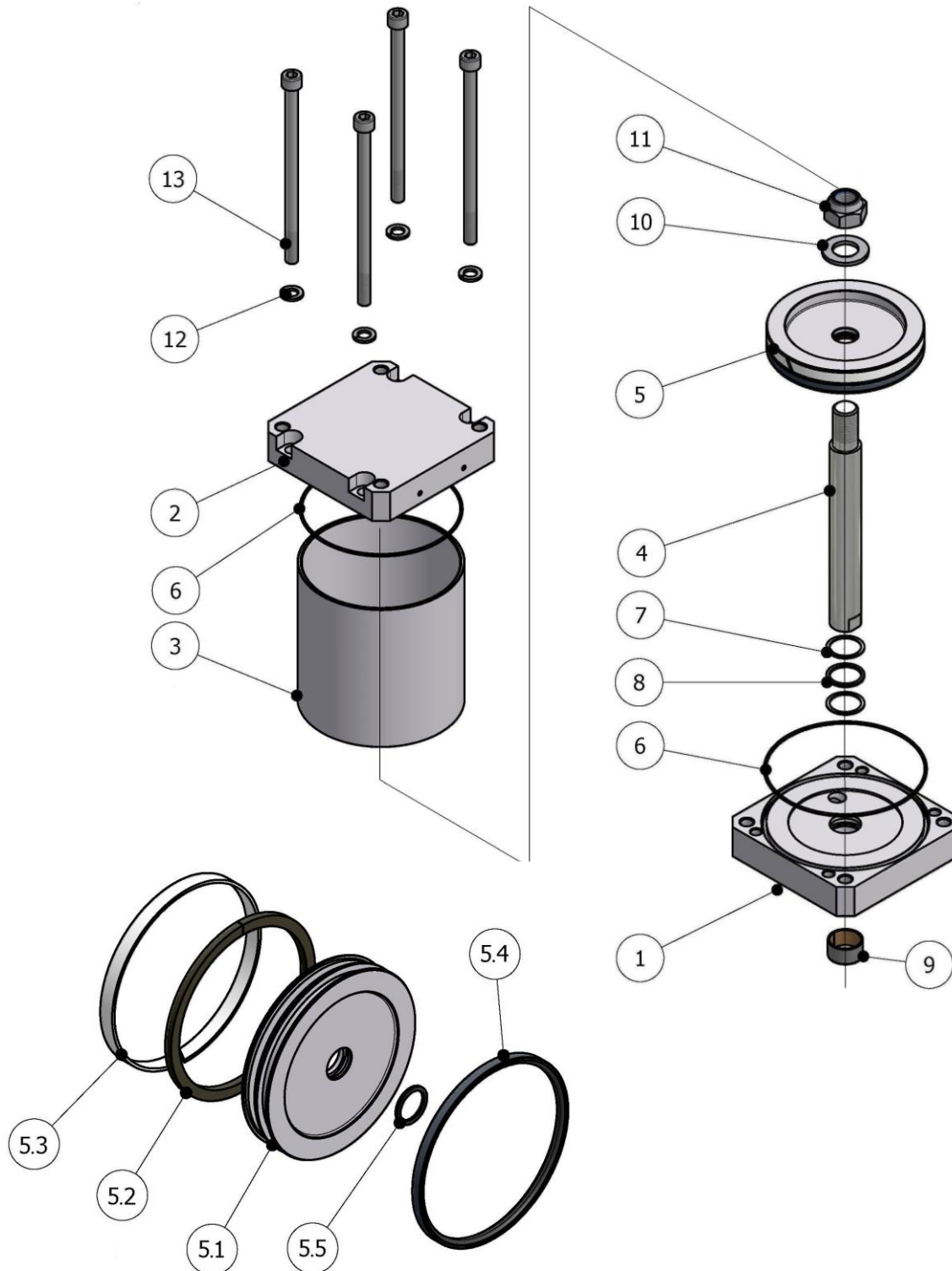


Figura 9. Air Motor, Exploded view



Table 16. Air Motor Assembly, Parts List

Ref.	Description	Part Number	Qty.
1	Front Block	NE-00059-01	1
2	Rear Block	NE-00059-02	1
3	Cylinder Body	NE-00059-03	1
4	Piston Rod	NE-00059-04	1
5	Magnetic Piston Assy	NE-00059-05	1
5.1	Piston	NE-00059-06	1 (*)
5.2	Magnet	NE-00059-07	1 (*)
5.3	Piston Guide	OR-00100	1 (*)
5.4	Piston Seal	OR-00101	1 (*)
5.5	O-Ring	OR-00103	1 (*)
6	O-Ring	OR-00102	2
7	Non Extrusion Ring	OR-00099	2
8	O-Ring	OR-00104	1
9	Guide Rod	TN-00288	1
10	Washer	TN-00291	1
11	Nut	TN-00290	1
12	Washer	TN-00087	4
13	Screw	TN-00289	4

N.B.:

The Parts indicated (*) are included in Ref. 5

“A” PRIMARY HEATER

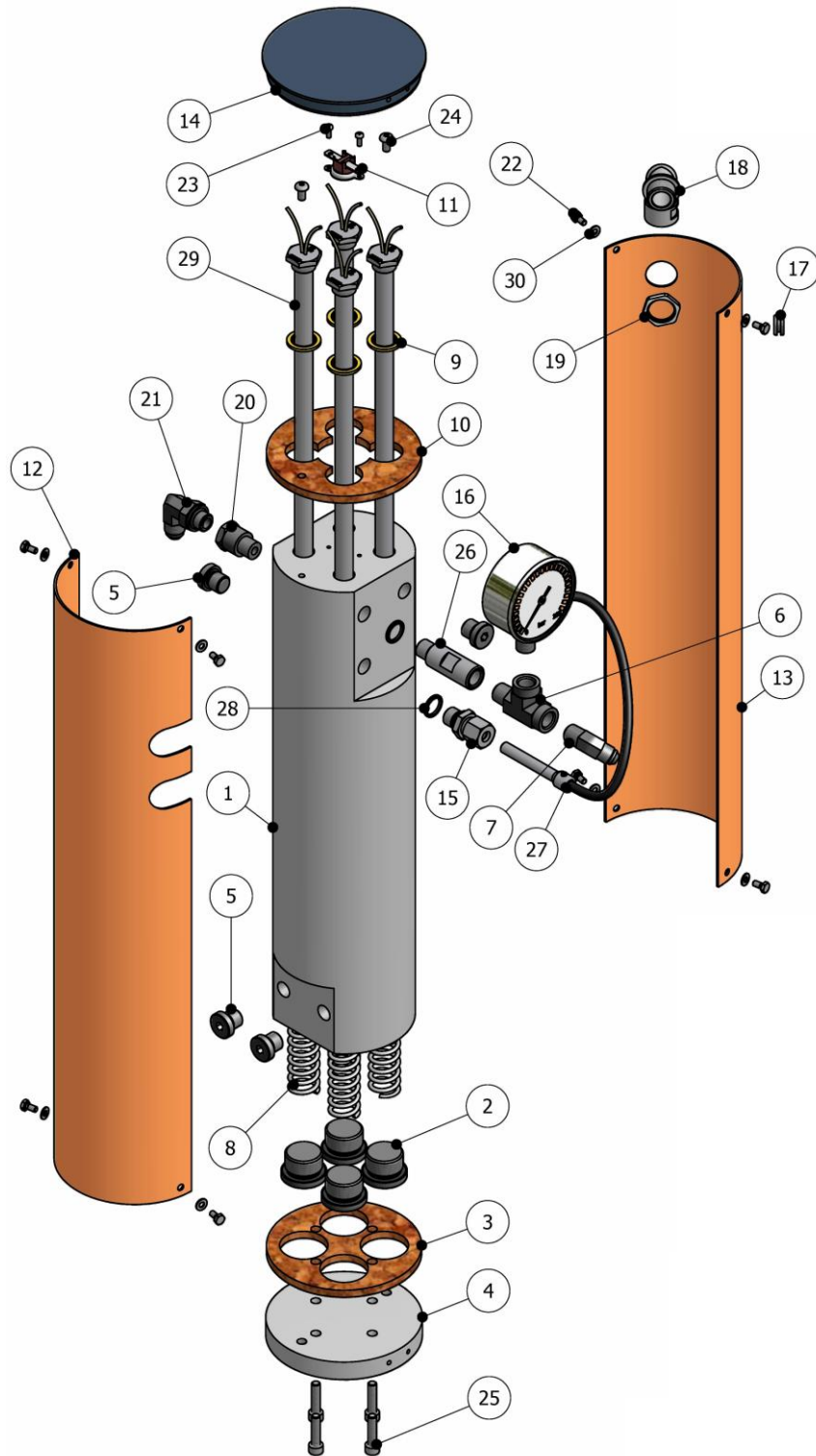


Figure 10. “A” Primary Heater, Exploded View



Table 17. A" Primary Heater, Parts List

Ref.	Description	Part Number	Qty.
1	Heat Block	CL-02001-01A	1
2	Pipe Plug	RA-00012	4
3	Bottom Insulate Plate	CL-02001-03	1
4	Bottom Cap	CL-02001-02	1
5	Pipe Plug	RA-00013	4
6	Pipe Tee	RA-00018	1
7	Hose Nipple	RA-00017	1
8	Spring	SP-00009	4
9	Seal	OR-00018	4
10	Top Insulate Plate	CL-02001-04	1
11	Thermal Limit Switch	EL-00006	1
12	Heater Cover	CL-02001-06	1
13	Heater Cover	CL-02001-05	1
14	Top Cap	CL-02001-07	1
15	Thermocouple Nipple	RA-00231	1
16	Liquid Fill Gauge	See Table 18	1
17	Rubber Grommet	EL-00095-00	1
18	Conduit Connector	EL-00087-01	1
19	Nut	EL-00090-01	1
20	Swivel Union	RA-00077	1
21	Hose Nipple	RA-00050	1
22	Screw	TN-00317	8
23	Screw	TN-00128	2
24	Screw	TN-00166	2
25	Socket Head Cap Screw	TN-00169	4
26	Adapter	RA-00100	1
27	Thermocouple	EL-00146-00	1
28	Metal Seal	OR-00054	2
29	Heat Resistance	See Table 18	4
30	Washer	TN-00104	8



Table 18. Parts List for each model of A-Heater

Part Number	Description	Ref. 16	Ref. 29
CL-02001-00A	A-Primary Heater 5000 watts.	HI-00015	EL-00004
CL-02001-00B	A-Primary Heater 6000 watts	HI-00019	EL-00082
CL-02001-00C	A-Primary Heater 5000 watts.	HI-00019	EL-00004

“R” PRIMARY HEATER

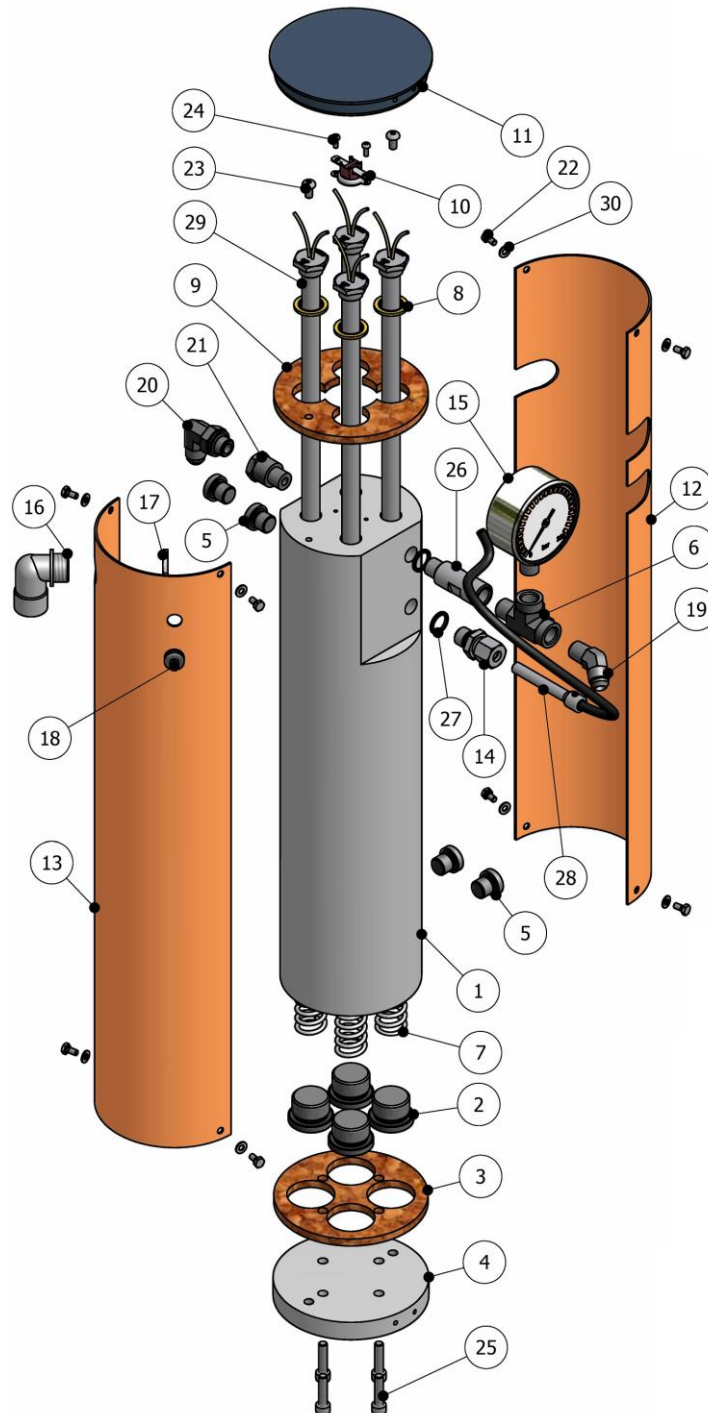


Figure 11. “R” Primary Heater, Exploded View



Table 19. "R" Primary Heater, Parts List

Ref.	Description	Part Number	Qty.
1	Heat Block	CL-02001-01A	1
2	Pipe Plug	RA-00012	4
3	Bottom Insulate Plate	CL-02001-03	1
4	Bottom Cap	CL-02001-02	1
5	Pipe Plug	RA-00013	4
6	Pipe Tee	RA-00018	1
7	Spring	SP-00009	4
8	Seal	OR-00018	4
9	Top Insulate Plate	CL-02001-04	1
10	Thermal Limit Switch	EL-00006	1
11	Top Cap	CL-02001-07	1
12	Heater Cover	CL-02002-06	1
13	Heater Cover	CL-02002-05	1
14	Thermocouple Nipple	RA-00231	1
15	Liquid Fill Gauge	See Table 20	1
16	Conduit Connector	EL-00087-01	1
17	Nut	EL-00090-01	1
18	Rubber Grommet	EL-00095-00	1
19	Hose Nipple	RA-00043	1
20	Hose Nipple	RA-00050	1
21	Swivel Union	RA-00077	1
22	Screw	TN-00317	8
23	Screw	TN-00166	2
24	Screw	TN-00128	2
25	Socket Head Cap Screw	TN-00169	4
26	Adapter	RA-00100	1
27	Metal Seal	OR-00054	2
28	Thermocouple	EL-00146-00	1
29	Heat Resistance	See Table 20	4
30	Washer	TN-00104	8



Table 20. Parts List for each model of R-Heater

Part Number	Description	Ref. 15	Ref 29
CL-02002-00A	A-Primary Heater 5000 watts.	HI-00015	EL-00004
CL-02002-00B	A-Primary Heater 6000 watts	HI-00019	EL-00082
CL-02002-00C	A-Primary Heater 5000 watts.	HI-00019	EL-00004

RECIRCULATION KIT P#: KT-00038

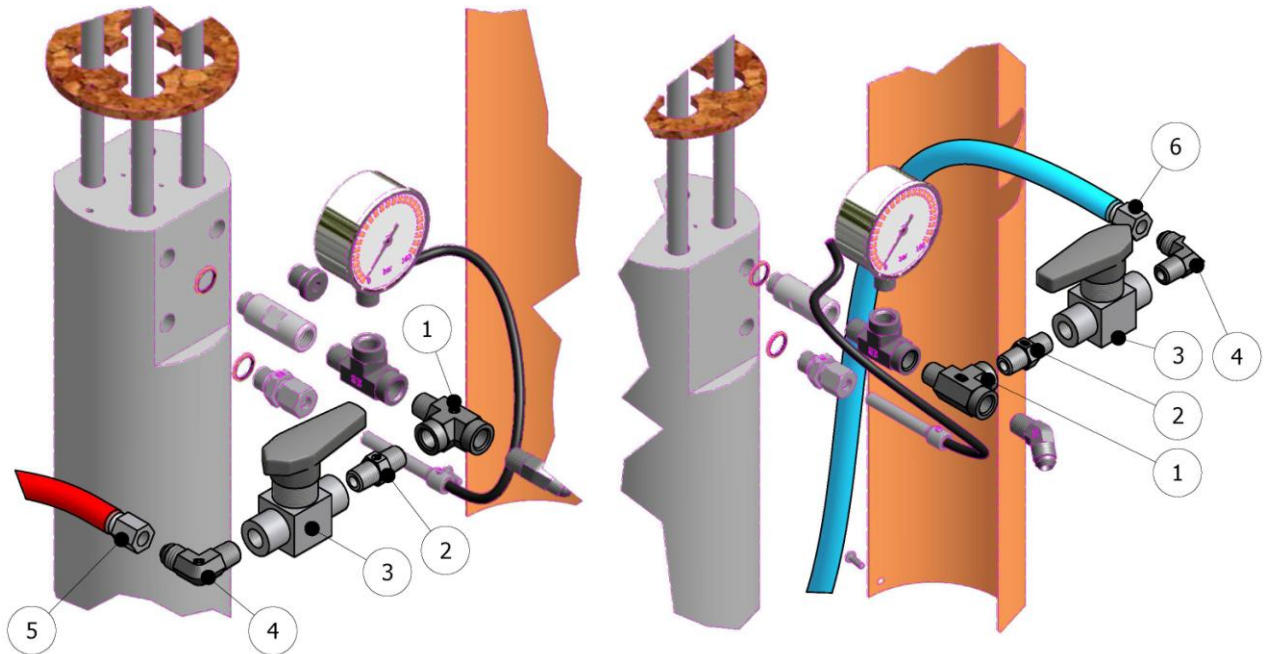


Figure 12. Recirculation Kit P#: KT-00038, Exploded View

Table 21. Recirculation Kit evolution, Parts List

Ref.	Description	Part Number	Qty.
1	Pipe Tee	RA-00018	2
2	Swivel Union	RA-00188	2
3	Ball Valve	RA-00189	2
4	Elbow ISO	RA-00254	1
	Elbow POL	RA-00044	1
5	A-Hose	MA-00050-01	1
6	R-Hose	MA-00050-00	1

RECIRCULATION KIT P#: KT-00038-01

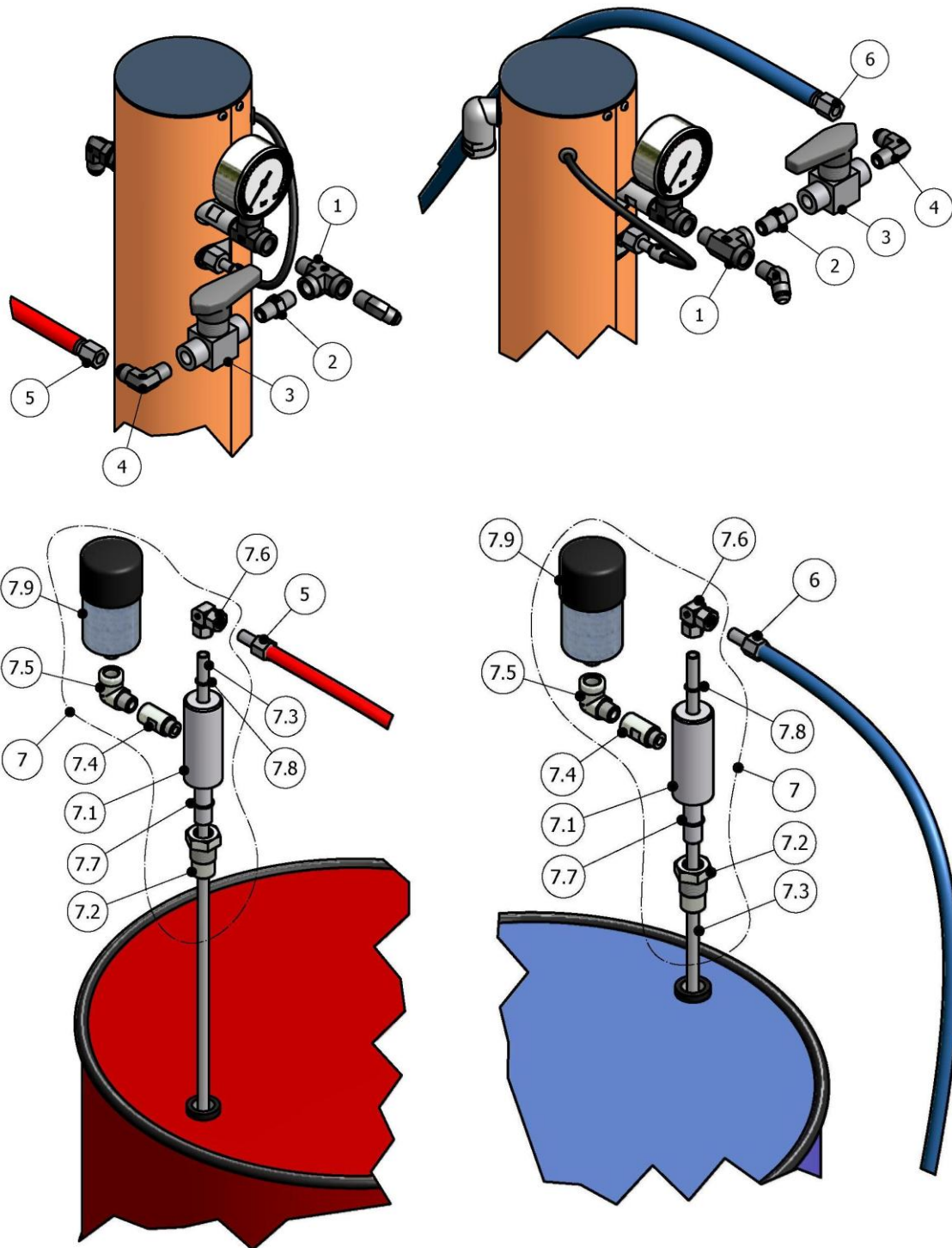


Figure 13. Recirculation Kit P#: KT-00038-01, Exploded View



**Table 22. Recirculation Kit evolution, Parts List
KT-00038-01**

Ref.	Description	Part -Number	Qty.
1	Pipe Tee	RA-00018	2
2	Swivel Union	RA-00188	2
3	Ball Valve	RA-00189	2
4	Elbow ISO	RA-00254	1
	Elbow POL	RA-00044	1
5	A-Hose	MA-00050-01	1
6	R-Hose	MA-00050-00	1
7	Assy. Connection to Tank	MQ-05009-00	2
7.1	Body connection	MQ-05010	1 (*)
7.2	Connection tank	MQ-05009	1 (*)
7.3	Pipe	HI-00075	1 (*)
7.4	Extension	RA-00256	1 (*)
7.5	Elbow	RA-00257	1 (*)
7.6	Elbow for Pipe	RA-00200	1 (*)
7.7	O-Ring	OR-00055	2 (*)
7.8	O-Ring	OR-00011	1 (*)
7.9	Dehumidifier filter	NE-00045	1 (*)

N.B.:

(*) Unitary Quantities included in 1 set Ref.7

RECIRCULATION KIT P#: KT-00038-03

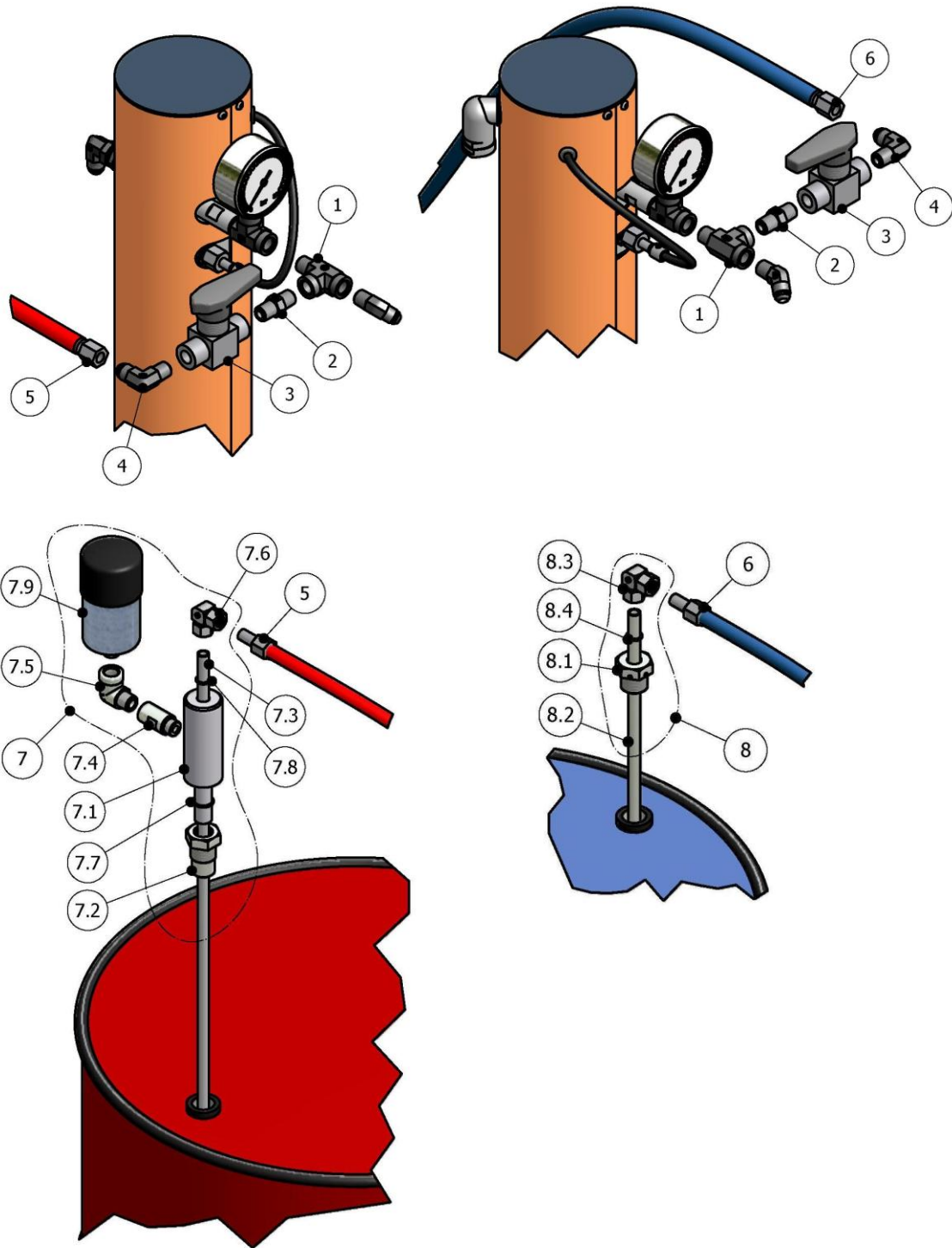


Figure 14. Recirculation Kit P#: KT-00038-03, Exploded View



**Table 23. Recirculation Kit evolution, Parts List
KT-00038-03**

Ref.	Description	Part –Number	Qty.
1	Pipe Tee	RA-00018	2
2	Swivel Union	RA-00188	2
3	Ball Valve	RA-00189	2
4	Elbow ISO	RA-00254	1
	Elbow POL	RA-00044	1
5	A-Hose	MA-00050-01	1
6	R-Hose	MA-00050-00	1
7	Assy. Connection to Tank with Filter	MQ-05009-00	1
7.1	Body connection	MQ-05010	1 (*)
7.2	Connection tank	MQ-05009	1 (*)
7.3	Pipe	HI-00075	1 (*)
7.4	Extension	RA-00256	1 (*)
7.5	Elbow	RA-00257	1 (*)
7.6	Elbow for Pipe	RA-00200	1 (*)
7.7	O-Ring	OR-00055	2 (*)
7.8	O-Ring	OR-00011	1 (*)
7.9	Dehumidifier filter	NE-00045	1 (*)
8	Assy. Connection to Tank without Filter	MQ-05010-00	1
8.1	Connection tank	MQ-05009-A	1 (#)
8.2	Pipe	HI-00075	1 (#)
8.3	Elbow for Pipe	RA-00200	1 (#)
8.4	O-Ring	OR-00011	1 (#)

N.B.:

(*) Unitary Quantities included in 1 set Ref.7

(#) Unitary Quantities included in 1 set Ref.8

ELECTRICAL SCHEMATIC DIAGRAM

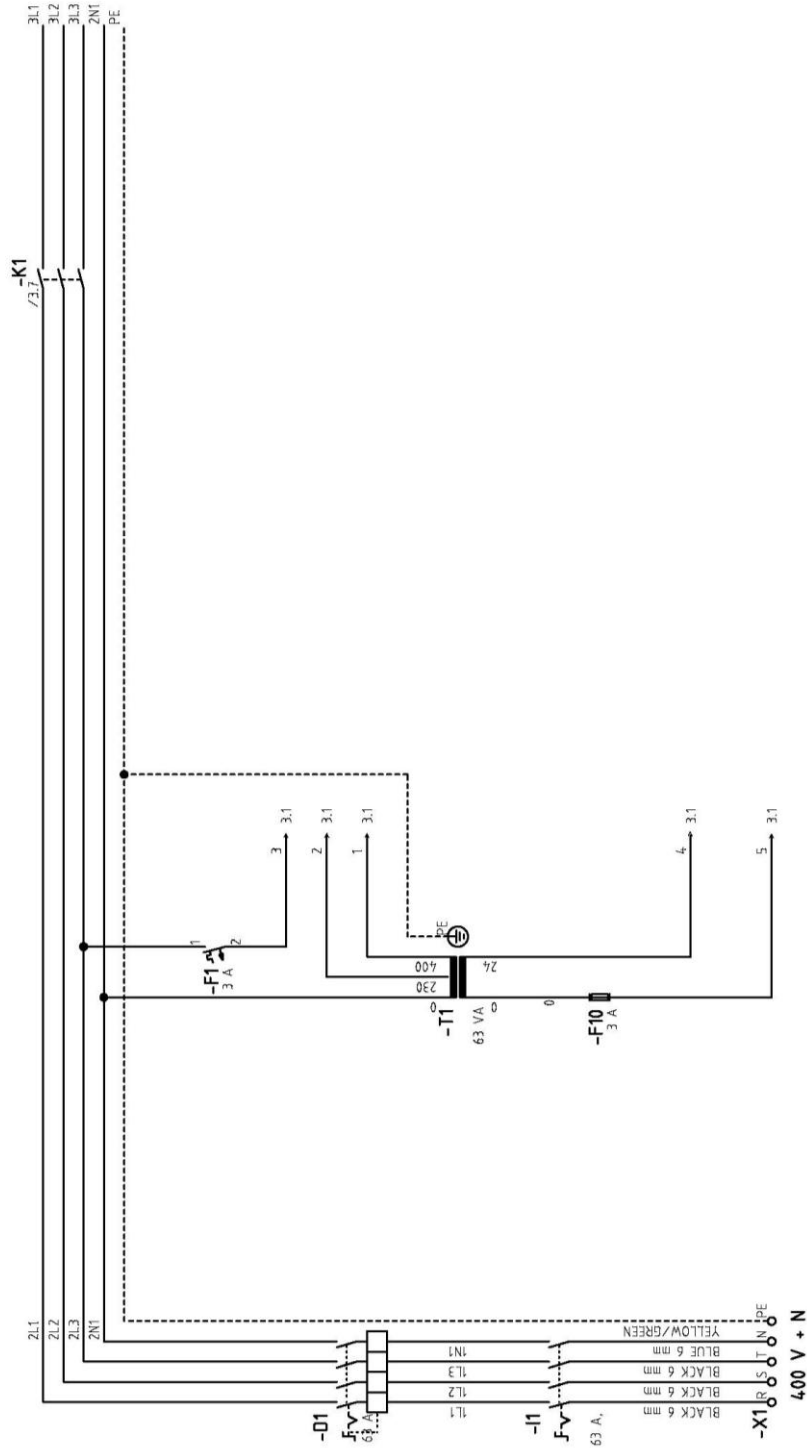


Figure 15. Electrical Schematic Diagram, Sheet 1 of 7

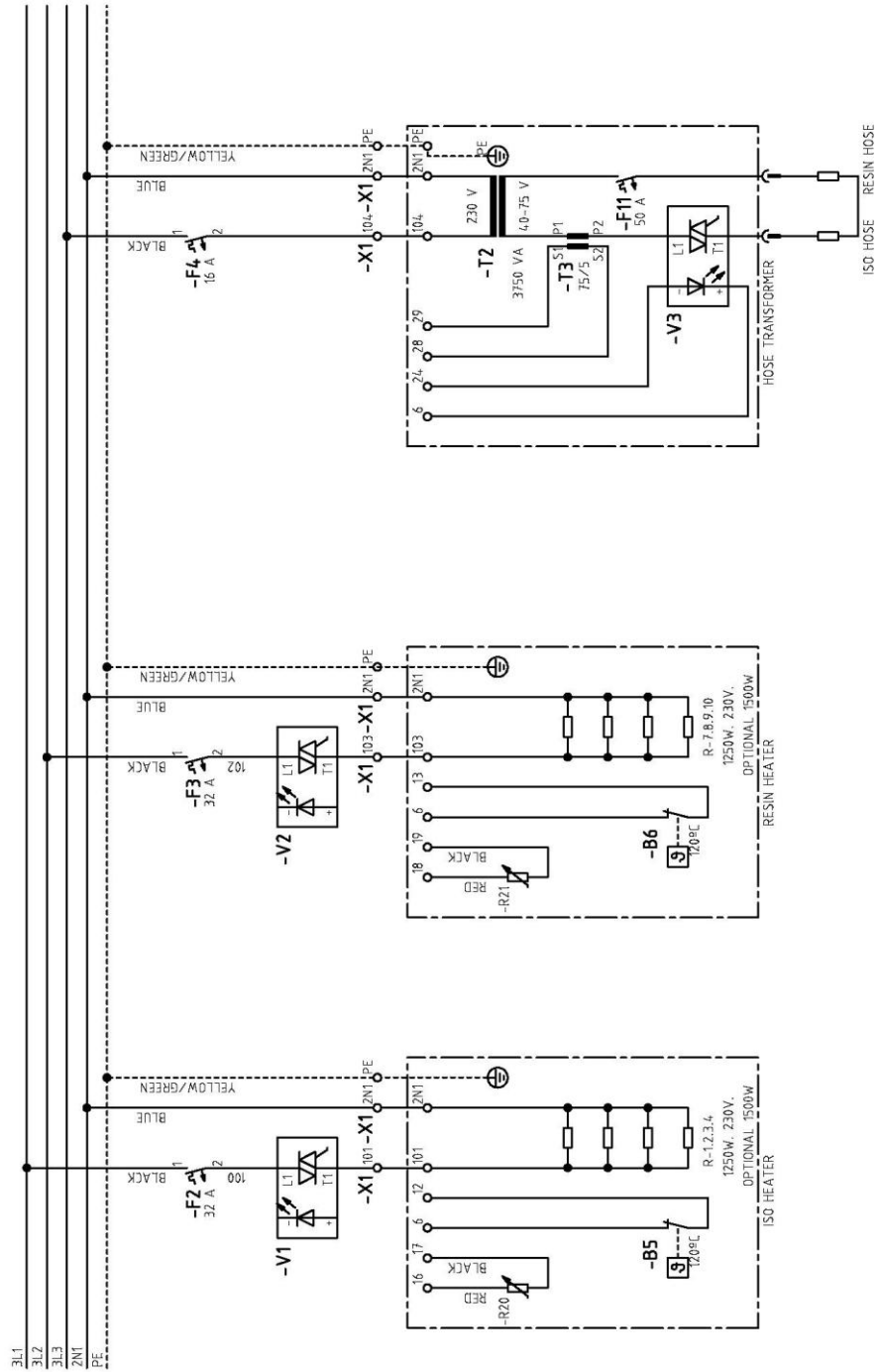


Figure 16. Electrical Schematic Diagram, Sheet 2 of 7

Parts Manual

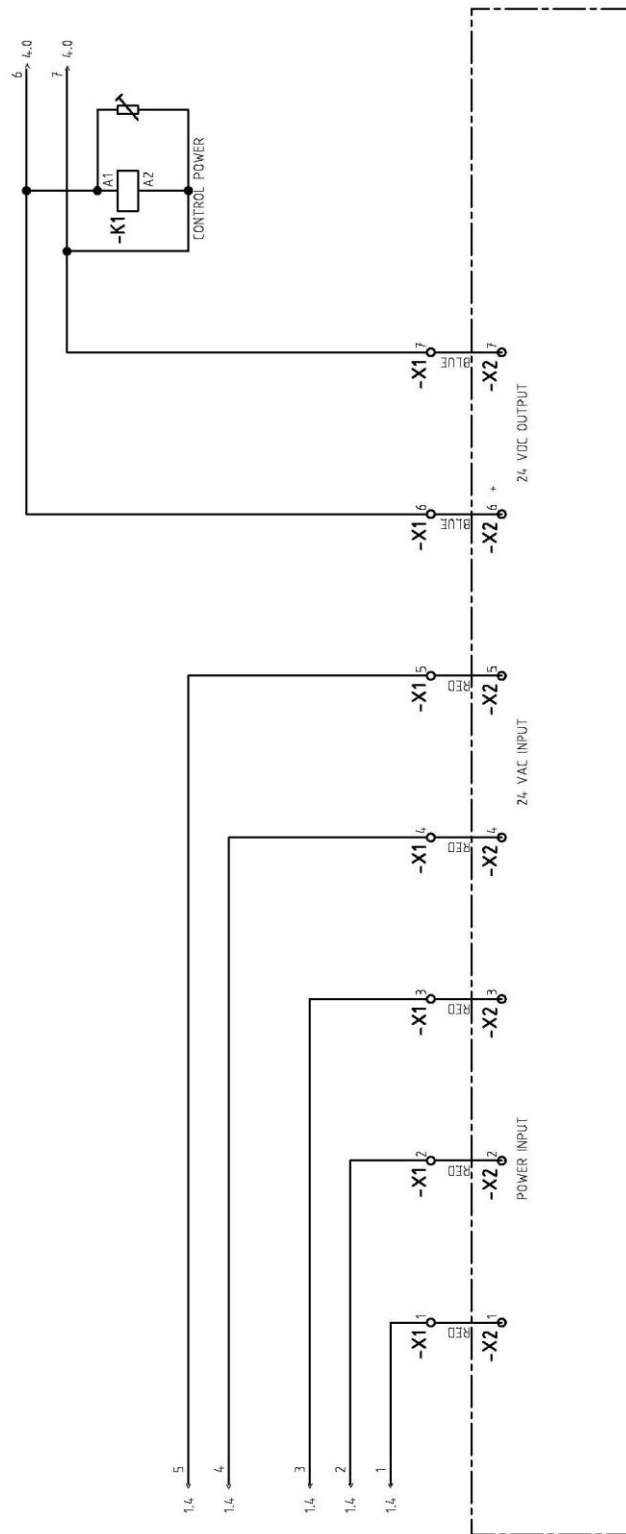


Figure 17. Electrical Schematic Diagram, Sheet 3 of 7

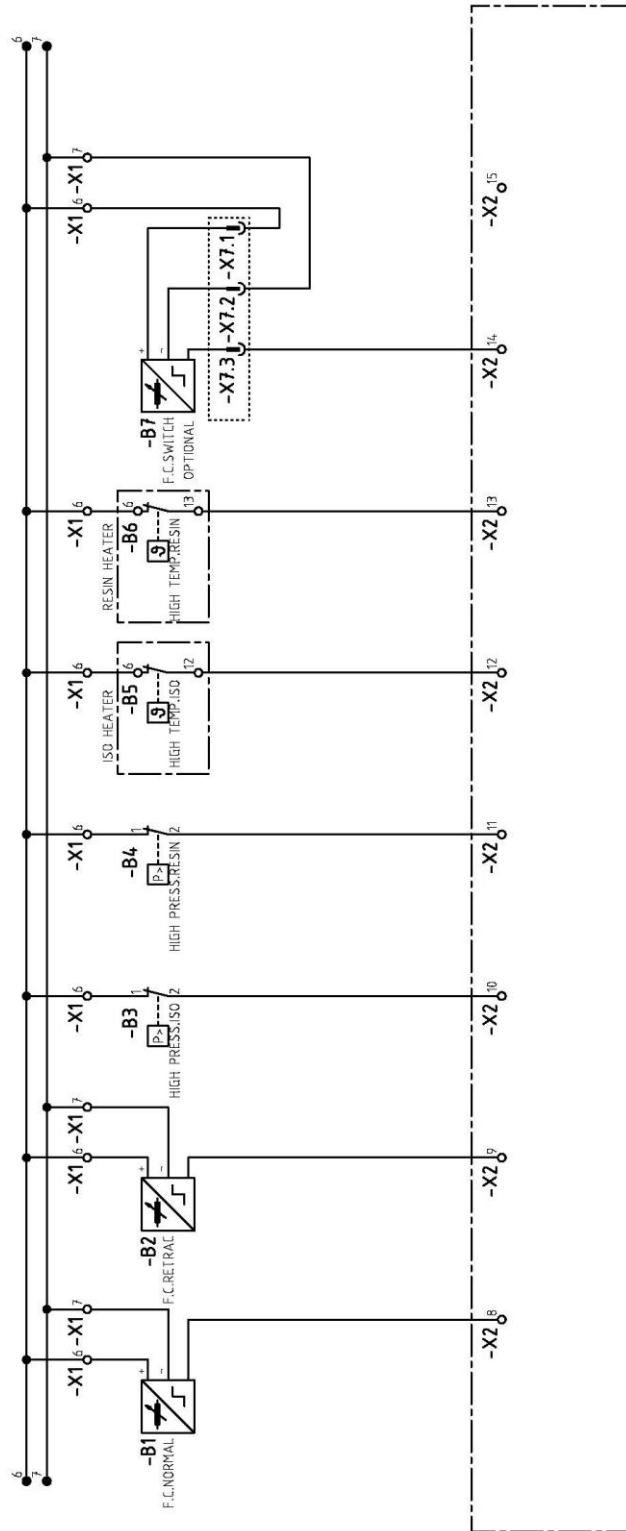


Figure 18. Electrical Schematic Diagram, Sheet 4 of 7

Parts Manual

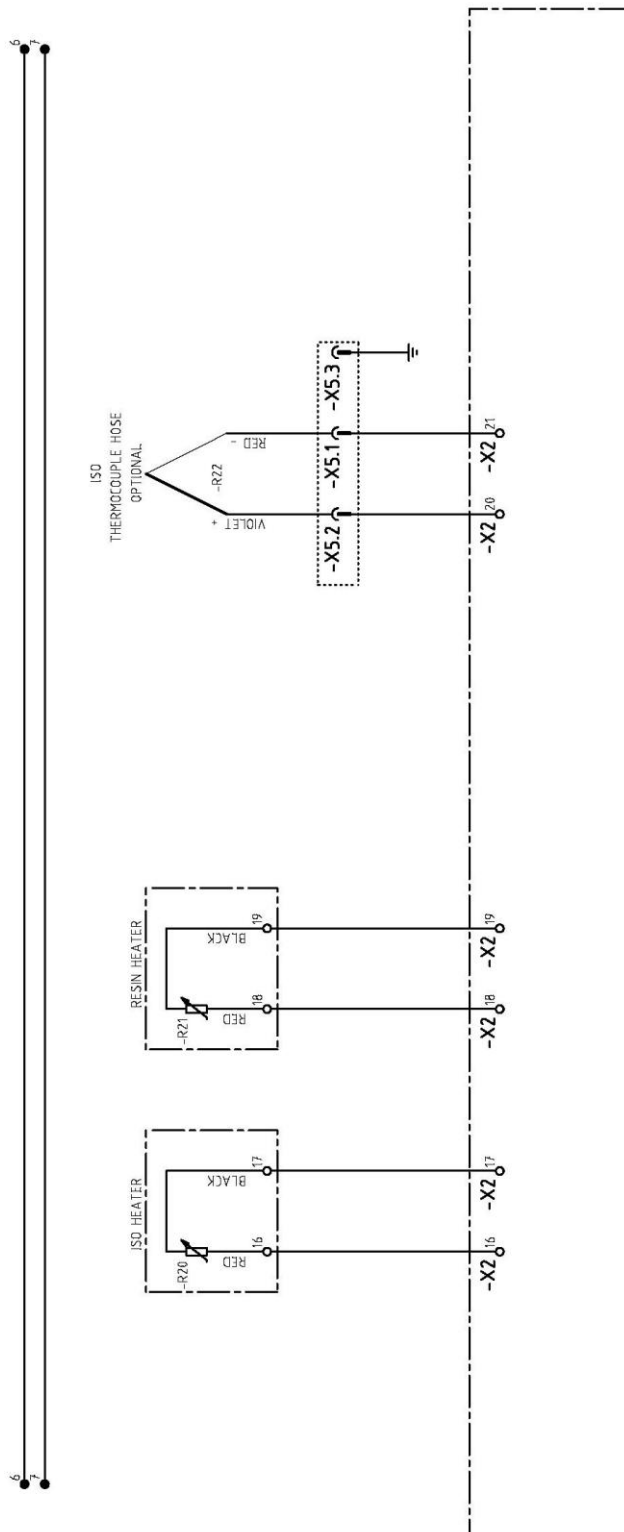


Figure 19. Electrical Schematic Diagram, Sheet 5 of 7

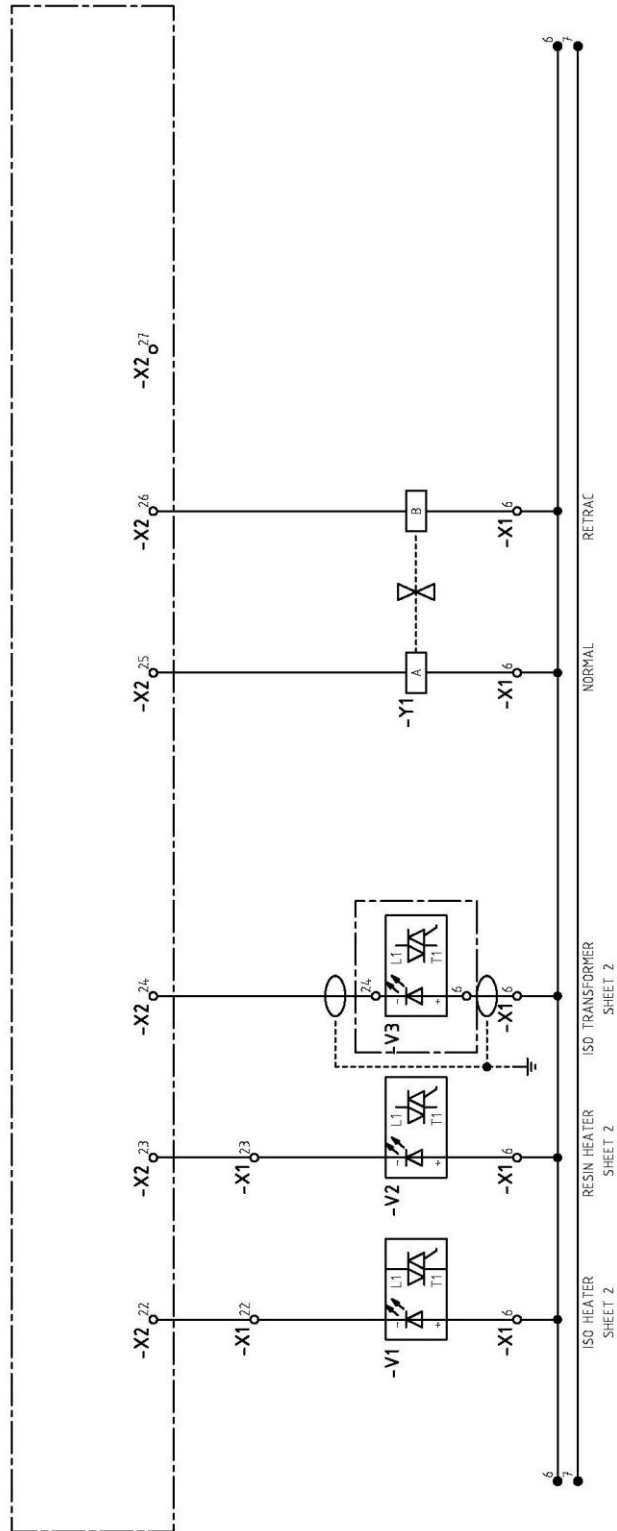


Figure 20. Electrical Schematic Diagram, Sheet 6 of 7

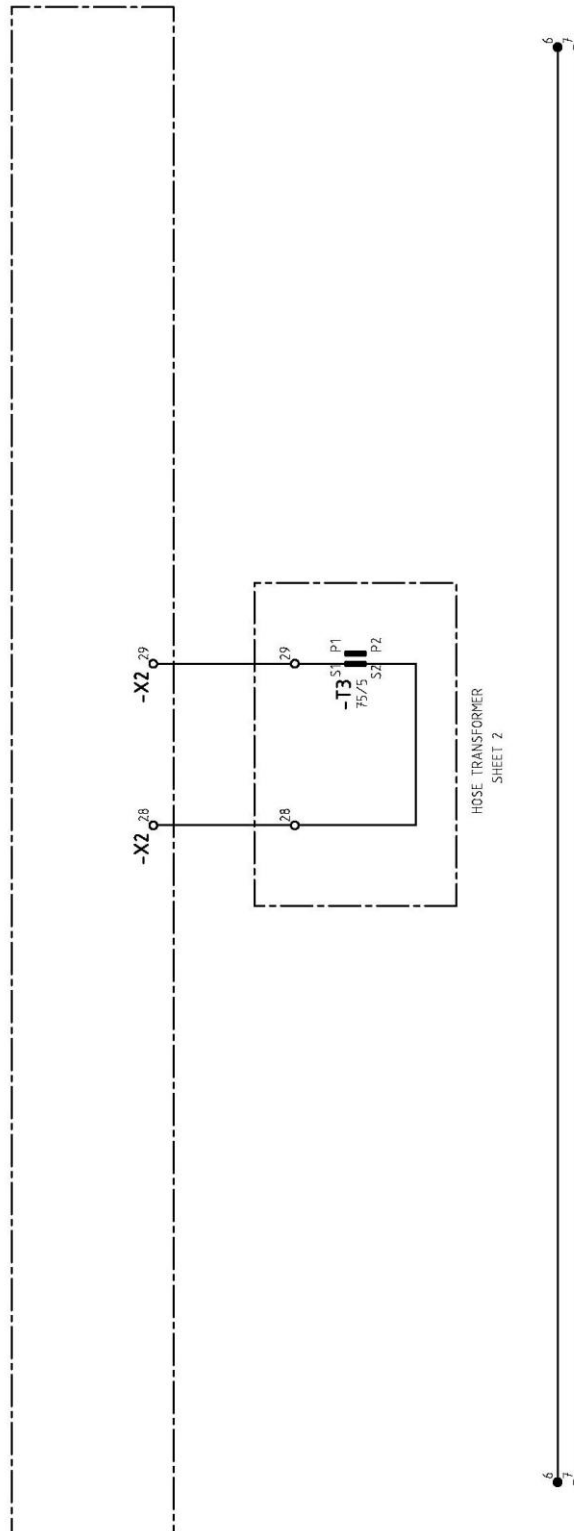


Figure 21. Electrical Schematic Diagram, Sheet 7 of 7



Table 24. Electrical Schematic Diagram, Parts List

Ref.	Description	Part Number	Qty.
F10	Fusible Point	EL-00104-13	1
F10	Fuse	EL-00128-02	2
I1	Switch	EL-00107-01	1
T1	Transformer	EL-00127-01	1
D1	Differential Switch	EL-00108-00	1
F1	Circuit Breaker	EL-00109-00	1
F2	Circuit Breaker	EL-00115-01	1
F3	Circuit Breaker	EL-00115-01	1
F4	Circuit Breaker	EL-00112-00	1
T3	Intensity Transformer	EL-00127-03	1
V1	Static Relay	EL-00126-00	1
V2	Static Relay	EL-00126-00	1
V3	Triac	EL-00126-02	1
K1	Contactor	EL-00121-00	1
K1	Varistor	EL-00120-00	1
X1	Terminal Strip	EL-00105-00	1

PNEUMATIC SCHEMATIC DIAGRAM

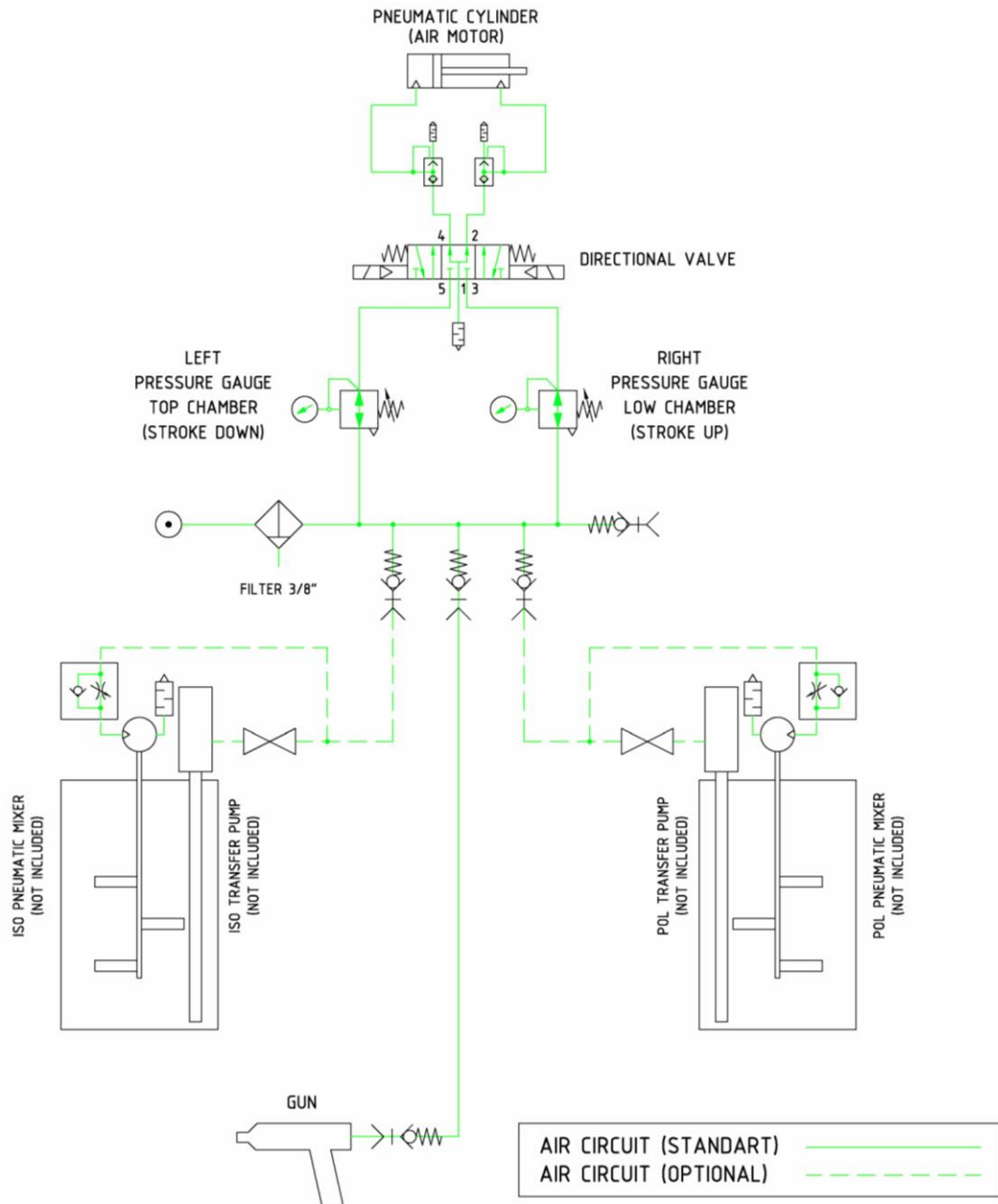


Figure 22. Pneumatic Schematic Diagram

FUNCTIONING SCHEMATIC DIAGRAM

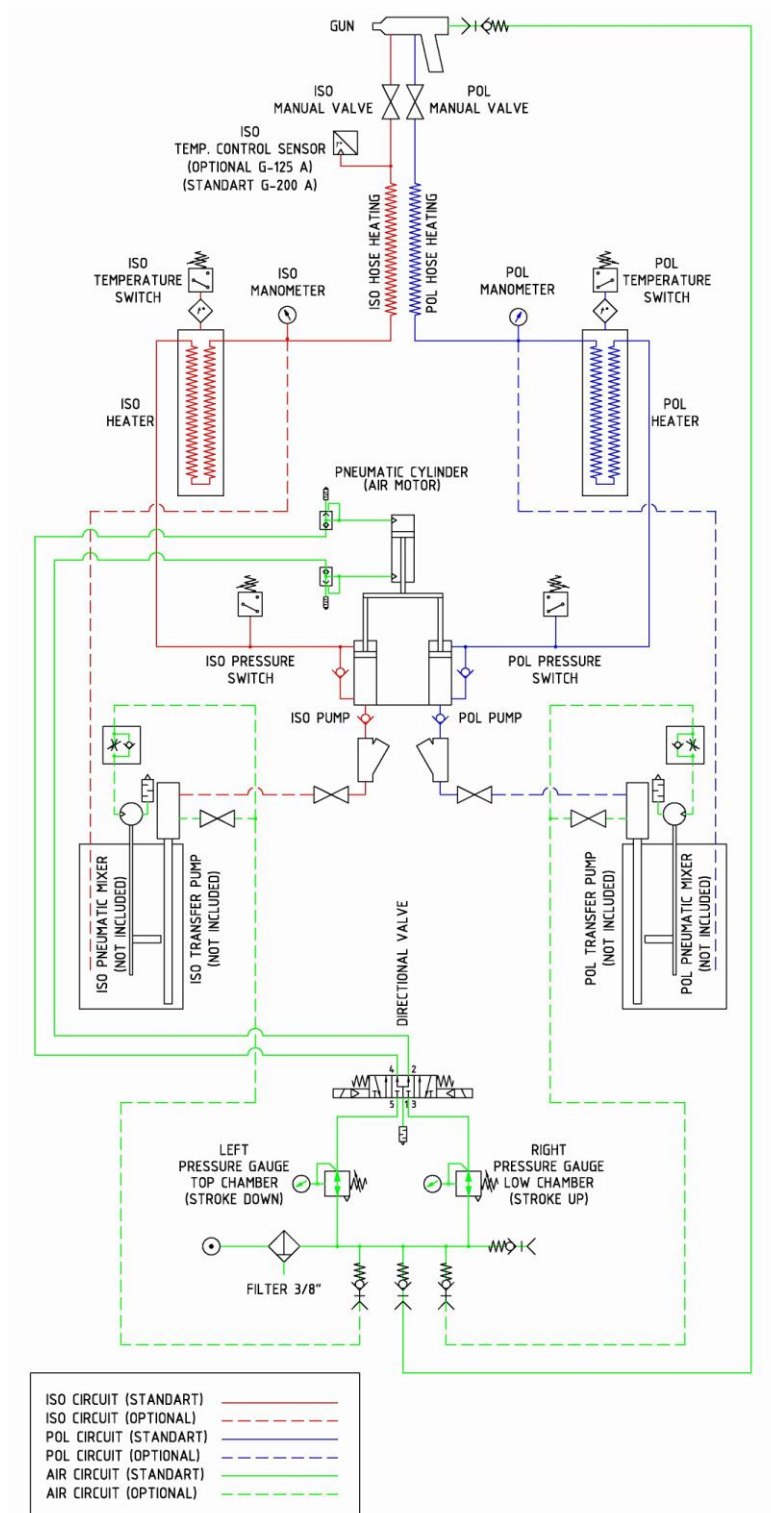


Figure 23. Functioning Schematic Diagram



Parts Manual

CONTENT

Warranty	2
Proportioning Unit evolution G-125 A / G-200 A	3
Electrical Console evolution G-125 A Model	7
Electrical Console evolution G-200 A Model	9
Guide Wheels System	11
Proportioning Pump	13
Piston Rod Assembly	18
Air Control Assembly	21
Air Motor Assembly	24
“A” Primary Heater	26
“R” Primary Heater	29
Recirculation Kit P#: KT-00038	32
Recirculation Kit P#: KT-00038-01	33
Recirculation Kit P#: KT-00038-03	35
Electrical Schematic Diagram	37
Pneumatic Schematic Diagram	45
Functioning Schematic Diagram	46
Content	47
List Of Illustrations	48



LIST OF ILLUSTRATIONS

Figure 1. Proportioning Unit evolution G-125 A / G-200 A model	3
Figure 2. Electrical Console evolution G-125 A Model	7
Figure 3. Electrical Console evolution G-200 A Model	9
Figure 4. Guide Wheel System, Exploded View.	11
Figure 5. Proportioning Pump, Exploded View	13
Figure 6. Options of Assembly of the Pressure Switches	17
Figure 7. Piston Rod Assembly, Exploded View	18
Figure 8. Air Control Assembly, Exploded View	21
Figura 9. Air Motor, Exploded view	24
Figure 10. "A" Primary Heater, Exploded View	26
Figure 11. "R" Primary Heater, Exploded View	29
Figure 12. Recirculation Kit P#: KT-00038, Exploded View	32
Figure 13. Recirculation Kit P#: KT-00038-01, Exploded View	33
Figure 14. Recirculation Kit P#: KT-00038-03, Exploded View	35
Figure 15. Electrical Schematic Diagram, Sheet 1 of 7	37
Figure 16. Electrical Schematic Diagram, Sheet 2 of 7	38
Figure 17. Electrical Schematic Diagram, Sheet 3 of 7	39
Figure 18. Electrical Schematic Diagram, Sheet 4 of 7	40
Figure 19. Electrical Schematic Diagram, Sheet 5 of 7	41
Figure 20. Electrical Schematic Diagram, Sheet 6 of 7	42
Figure 21. Electrical Schematic Diagram, Sheet 7 of 7	43
Figure 22. Pneumatic Schematic Diagram	45
Figure 23. Functioning Schematic Diagram	46